

LEVINA

5380UAC125P51

EAN 4031582349351

Swivel castor, housing made from high grade synthetic materials with metal parts made of Stainless Steel, double ball bearing swivel head, plate fitting. Wheel centre made of polyamide, tread made of polyurethane, two INOX precision ball bearings, sealed, washable



BETTER MOBILITY. BETTER LIFE.



Picture may differ from original product

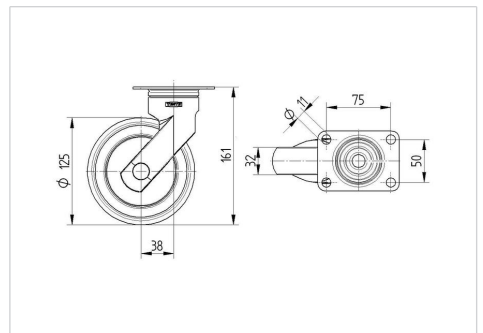
Technical Data

| | |
|------------------------|----------------|
| Wheel diameter | 125 mm |
| Wheel width | 32 mm |
| Size of Plate | 95 x 70 mm |
| Plate hole centres | 75 x 50 mm |
| Plate hole | 11 mm |
| Offset | 38 mm |
| Swivel Interference | 201 mm |
| Overall height | 165 mm |
| Temperature | - 10 / + 40 °C |
| Standard | EN_12530 |
| Weight | 0.672 kg |
| Swivel Radius | 100.5 mm |
| Hardness of tread | Shore A 92 |
| Load capacity | 100 kg |
| Load capacity (static) | 200 kg |

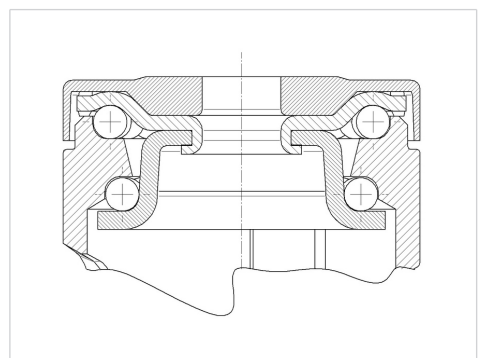
Advantages at a glance

| | |
|----------------------|-----------|
| Roll performance | ● ● ● ○ ○ |
| Movement noise | ● ● ● ● ○ |
| Attrition | ● ● ● ● ○ |
| Corrosion resistance | ● ● ● ● ● |

Dimensions



Structure & Mounting



LEVINA

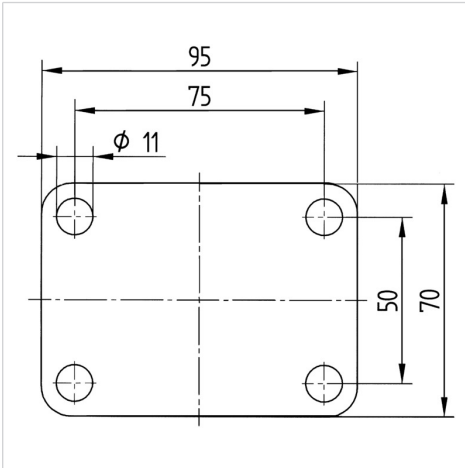
5380UAC125P51

EAN 4031582349351



BETTER MOBILITY. BETTER LIFE.

Structure & Mounting



Design Award Winner

German Designer Club

