

ELASTECH

UER200x46-Ø20

EAN 4031582323337

Wheel centre made of Polyamide, Tread: elastic-tyre, black, roller bearing



BETTER MOBILITY. BETTER LIFE.

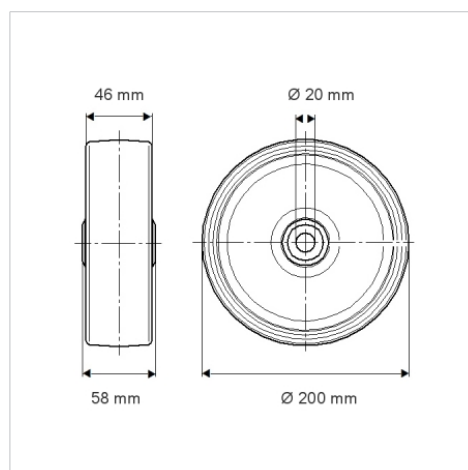


Picture may differ from original product

Technical Data

| | |
|------------------------|----------------|
| Wheel diameter | 200 mm |
| Wheel width | 46 mm |
| Axle Hole-Ø | 20 mm |
| Hub length | 58 mm |
| Temperature | - 20 / + 80 °C |
| Standard | EN_12532 |
| Weight | 1.11 kg |
| Hardness of tread | Shore A 63 |
| Load capacity | 400 kg |
| Load capacity (static) | 800 kg |

Dimensions



Advantages at a glance

| | |
|----------------------|-----------|
| Roll performance | ● ● ● ● ○ |
| Movement noise | ● ● ● ● ○ |
| Attrition | ● ● ● ○ ○ |
| Corrosion resistance | ● ● ● ○ ○ |