

COMPACTA

1430POI038P60-46x38

EAN 4031582336672

Swivel castor, housing made of pressed steel, bright zinc plated, blue passivated, single ball race swivel head, axle riveted, plate fitting. Wheel centre made of Polypropylene, plain bearing



BETTER MOBILITY. BETTER LIFE.

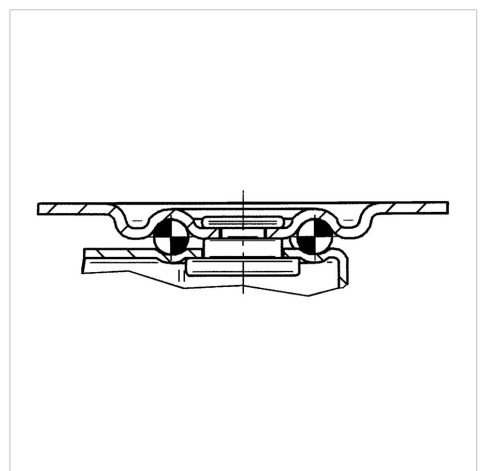


Picture may differ from original product

Technical Data

| | |
|------------------------|----------------|
| Wheel diameter | 38 mm |
| Wheel width | 16 mm |
| Castor width | 32 mm |
| Size of Plate | 46 x 38 mm |
| Plate hole centres | 36 x 28 mm |
| Plate hole | 5,3 mm |
| Dome-Ø | 32 mm |
| Offset | 13 mm |
| Swivel Interference | 64 mm |
| Overall height | 50.5 mm |
| Temperature | - 20 / + 60 °C |
| Standard | EN_12528 |
| Weight | 0.071 kg |
| Swivel Radius | 32 mm |
| Hardness of tread | Shore D 65 |
| Load capacity | 25 kg |
| Load capacity (static) | 50 kg |

Structure & Mounting



Advantages at a glance

| | |
|----------------------|-----------|
| Roll performance | ● ● ● ○ ○ |
| Movement noise | ● ● ● ○ ○ |
| Attrition | ● ● ● ● ● |
| Corrosion resistance | ● ● ● ○ ○ |