

# ZETA

8677UOO200P63

EAN 4031582313840

Swivel castor with total lock, tail end of castor, housing made of Stainless Steel, double ball bearing swivel head, protected, reinforced and heat-treated ball covers, riveted king pin, wheel axle with nut, plate fitting. Wheel centre made of Polyamide, plain bearing



BETTER MOBILITY. BETTER LIFE.



Picture may differ from original product

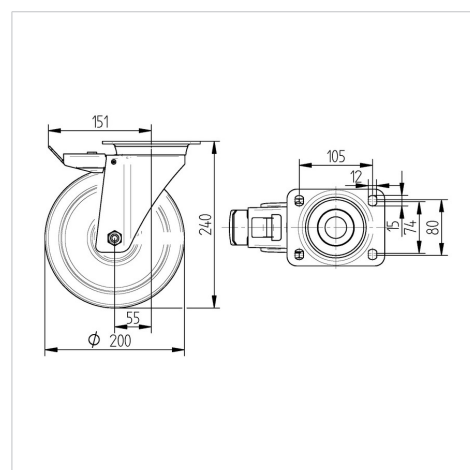
## Technical Data

Wheel diameter	200 mm
Wheel width	50 mm
Castor width	96 mm
Size of Plate	137 x 105,0 mm
Plate hole centres	105 x 80/74 mm
Plate hole	11 mm
Dome-Ø	96 mm
Offset	55 mm
Swivel Interference	322 mm
Overall height	240 mm
Temperature	- 30 / + 80 °C
Standard	EN_12533
Weight	3.17 kg
Swivel Radius	161 mm
Hardness of tread	Shore D 75
Load capacity	800 kg
Load capacity (static)	1600 kg

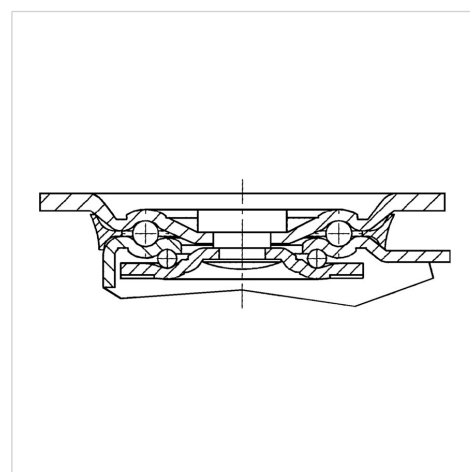
## Advantages at a glance

Roll performance	● ● ● ● ●
Movement noise	● ○ ○ ○ ○
Attrition	● ● ● ● ●
Corrosion resistance	● ● ● ● ●

## Dimensions



## Structure & Mounting



# ZETA

8677UOO200P63

EAN 4031582313840



BETTER MOBILITY. BETTER LIFE.

## Structure & Mounting

