

MAXTECH

UAR125x38-Ø12 HL44,4 grey

EAN 4031582323160

Wheel centre made of Polyamide, Tread: Polyurethane, roller bearing



BETTER MOBILITY. BETTER LIFE.

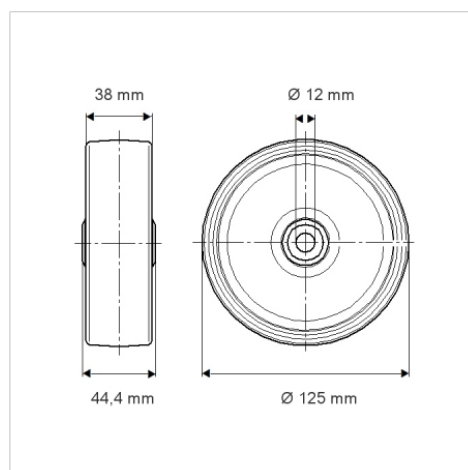


Picture may differ from original product

Technical Data

| | |
|------------------------|----------------|
| Wheel diameter | 125 mm |
| Wheel width | 38 mm |
| Axle Hole-Ø | 12 mm |
| Hub length | 44.4 mm |
| Temperature | - 25 / + 80 °C |
| Standard | EN_12532 |
| Weight | 0.316 kg |
| Hardness of tread | Shore D 42 |
| Load capacity | 300 kg |
| Load capacity (static) | 600 kg |

Dimensions



Advantages at a glance

| | |
|----------------------|-----------|
| Roll performance | ● ● ● ○ ○ |
| Movement noise | ● ● ● ○ ○ |
| Attrition | ● ● ● ● ○ |
| Corrosion resistance | ● ● ● ○ ○ |