

INTEGRAL TWIN

2944UAP125R36-32S30 4xM6

EAN 4031582302554

Swivel castor with central, total lock and central directional lock, frame made of pressed steel, precision ball bearing in swivel head, housing with synthetic cover, stem with cam hole for profile bars, short version. Wheel centre made of Polyamide, Tread: Polyurethane, precision ball bearing
Hint: TÜV Süd certified product.



BETTER MOBILITY. BETTER LIFE.

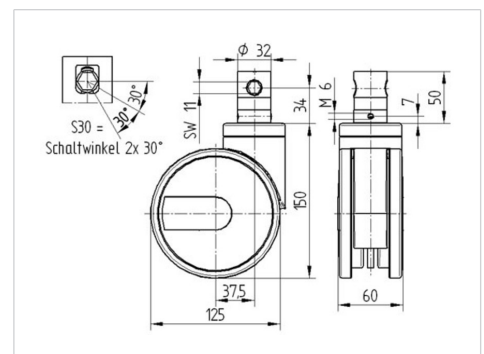


Picture may differ from original product

Technical Data

| | |
|------------------------|----------------|
| Wheel diameter | 125 mm |
| Wheel width | 12 mm |
| Castor width | 63 mm |
| Bolt-Ø | 32 mm |
| Bolt length | 51 mm |
| Dome-Ø | 61.5 mm |
| Offset | 37.5 mm |
| Swivel Interference | 206 mm |
| Overall height | 150 mm |
| Temperature | - 25 / - 25 °C |
| Standard | EN_12531 |
| Weight | 1.16 kg |
| Swivel Radius | 103 mm |
| Hardness of tread | Shore D 42 |
| Load capacity | 125 kg |
| Load capacity (static) | 375 kg |

Dimensions



Advantages at a glance

| | |
|----------------------|-----------|
| Roll performance | ● ● ● ● ● |
| Movement noise | ● ● ● ○ ○ |
| Attrition | ● ● ● ● ○ |
| Corrosion resistance | ● ● ● ○ ○ |

INTEGRAL TWIN

2944UAP125R36-32S30 4xM6

EAN 4031582302554



BETTER MOBILITY. BETTER LIFE.

Structure & Mounting

