

ALPHA

3478POO125P62 white

EAN 4031582406672

Fixed caster, Fork made of pressed steel, bright zinc plated, blue passivated, wheel axle with nut, plate fitting.
Wheel center made of Polypropylene, plain bearing



BETTER MOBILITY. BETTER LIFE.

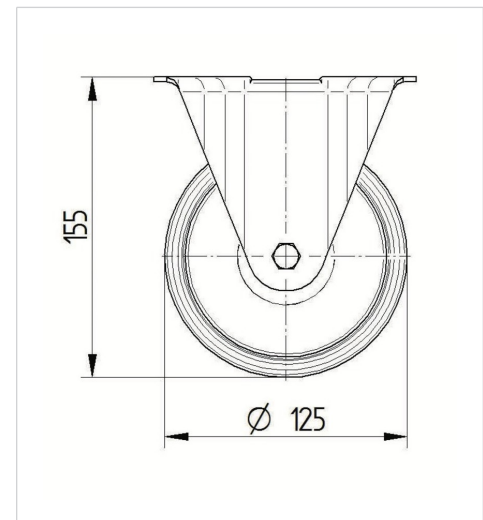


Picture may differ from original product

Technical Data

Wheel diameter	4.92 in
Wheel width	1.57 in
Plate size	4.06 x 3.35 in
Plate hole centers	3.15/3.03 x 2.36 in
Plate hole	0.35 in
Overall height	6.10 in
Temperature	- 4 / + 140 °F
Standard	EN 12532
Weight	1.182 lbs
Hardness of tread	Shore D 65
Load capacity (dynamic)	440 lbs
Load capacity (static)	880 lbs

Dimensions



Advantages at a glance

Roll performance	● ● ● ○ ○
Movement noise	● ● ● ○ ○
Attrition	● ● ● ● ●
Corrosion resistance	● ● ● ○ ○

ALPHA

3478POO125P62 white

EAN 4031582406672



BETTER MOBILITY. BETTER LIFE.

Structure & Mounting

