

PURETECH

PVR250x50-Ø25

EAN 4031582428346

Wheel center made of Polypropylene, Tread: solid rubber, black, roller bearing



BETTER MOBILITY. BETTER LIFE.

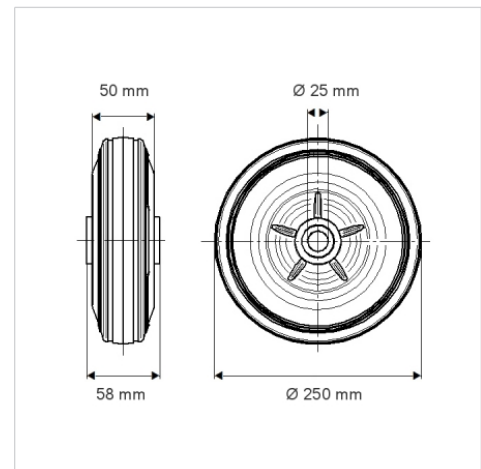


Picture may differ from original product

Technical Data

Wheel diameter	9.84 in
Wheel width	1.97 in
Axle Hole-Ø	0.98 in
Hub length	2.28 in
Temperature	- 4 / + 140 °F
Standard	EN 12532
Weight	6.332 lbs
Hardness of tread	Shore A 85
Load capacity (dynamic)	450 lbs
Load capacity (static)	905 lbs

Dimensions



Advantages at a glance

Roll performance	● ● ● ○ ○
Movement noise	● ● ● ○ ○
Attrition	● ● ○ ○ ○
Corrosion resistance	● ● ● ○ ○