

LUMINA

AA23POI050L51-10

EAN 4031582413038



BETTER MOBILITY. BETTER LIFE.

Swivel caster with intermittent brake, housing made of Polypropylene, with blind hole fitting. Wheel center made of Polypropylene, plain bearing

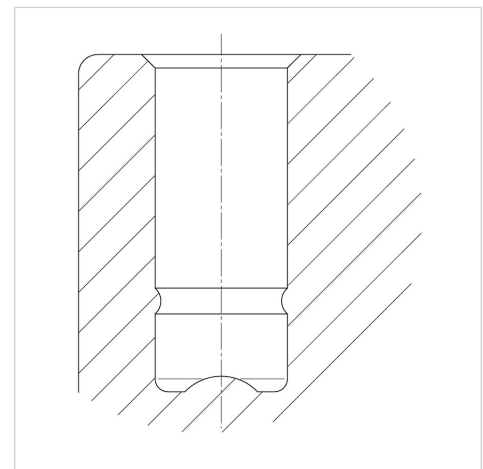


Picture may differ from original product

Technical Data

Wheel diameter	1.97 in
Wheel width	0.31 in
Caster width	2.17 in
Center hole	0.39 in
Offset	0.79 in
Swivel Interference	4.09 in
Overall height	2.17 in
Temperature	- 4 / + 140 °F
Standard	EN 12529
Weight	0.137 lbs
Swivel Radius	2.05 in
Hardness of tread	Shore D 65
Load capacity (dynamic)	90 lbs
Load capacity (static)	175 lbs

Structure & Mounting



Advantages at a glance

Roll performance	● ● ● ○ ○
Movement noise	● ● ● ○ ○
Attrition	● ● ● ○ ○
Corrosion resistance	● ● ● ○ ○