

COMPACTA

2198UOI014P60-30x17

EAN 4031582030044



BETTER MOBILITY. BETTER LIFE.

Fixed caster, Fork made of pressed steel, bright zinc plated, blue passivated, axle riveted, plate fitting.
Wheel center made of Polyamide, plain bearing

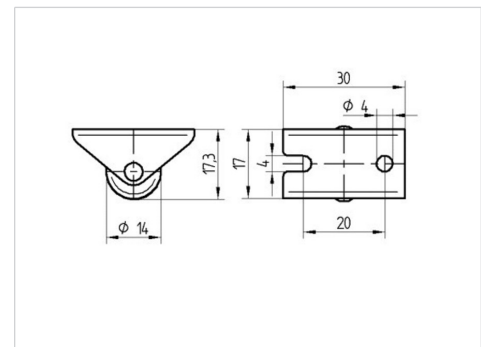


Picture may differ from original product

Technical Data

Wheel diameter	0.55 in
Wheel width	0.55 in
Caster width	0.79 in
Plate size	1.18 x 0.67 in
Plate hole centers	0.79 in
Plate hole	0.16 in
Dome-Ø	0.79 in
Overall height	0.67 in
Temperature	- 4 / + 140 °F
Standard	EN 12528
Weight	0.024 lbs
Hardness of tread	Shore D 65
Load capacity (dynamic)	55 lbs
Load capacity (static)	110 lbs

Dimensions



Advantages at a glance

Roll performance	● ● ● ○ ○
Movement noise	● ● ● ○ ○
Attrition	● ● ● ● ●
Corrosion resistance	● ● ● ○ ○