

BASETECH

POO065x30-Ø12

EAN 4031582418965

Wheel center made of Polypropylene, plain bearing



BETTER MOBILITY. BETTER LIFE.

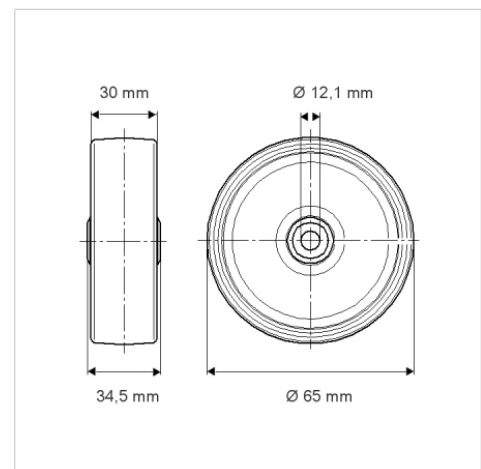


Picture may differ from original product

Technical Data

Wheel diameter	2.56 in
Wheel width	1.18 in
Axle Hole-Ø	0.47 in
Hub length	1.36 in
Temperature	- 4 / + 140 °F
Standard	EN 12532
Weight	0.104 lbs
Hardness of tread	Shore D 65
Load capacity (dynamic)	265 lbs
Load capacity (static)	530 lbs

Dimensions



Advantages at a glance

Roll performance	● ● ● ○ ○
Movement noise	● ● ● ○ ○
Attrition	● ● ● ● ●
Corrosion resistance	● ● ● ○ ○