

# BASETECH

POO080x34-Ø12

EAN 4031582418972

Wheel center made of Polypropylene, plain bearing



BETTER MOBILITY. BETTER LIFE.

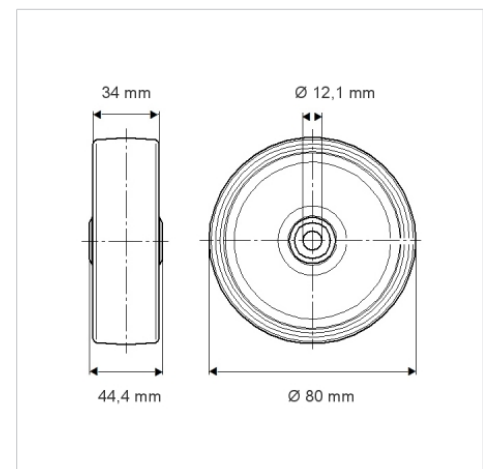


Picture may differ from original product

## Technical Data

Wheel diameter	3.15 in
Wheel width	1.34 in
Axle Hole-Ø	0.47 in
Hub length	1.75 in
Temperature	- 4 / + 140 °F
Standard	EN 12532
Weight	0.141 lbs
Hardness of tread	Shore D 65
Load capacity (dynamic)	275 lbs
Load capacity (static)	550 lbs

## Dimensions



## Advantages at a glance

Roll performance	● ● ● ○ ○
Movement noise	● ● ● ○ ○
Attrition	● ● ● ● ●
Corrosion resistance	● ● ● ○ ○