

MAXTECH

PAP4x1.25-Ø9.8 HL41

EAN 4031582436181

Wheel center made of Polypropylene, Tread: Polyurethane, precision ball bearing



BETTER MOBILITY. BETTER LIFE.

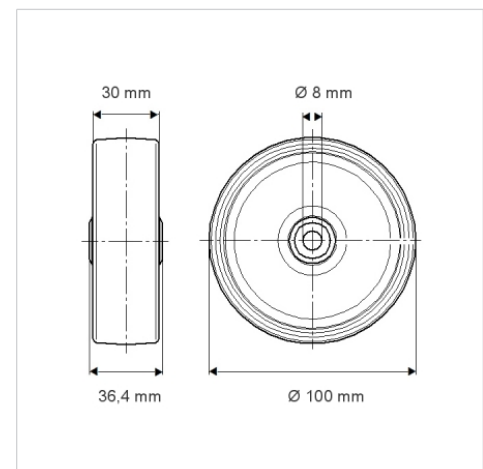


Picture may differ from original product

Technical Data

Wheel diameter	4 in
Wheel width	1.25 in
Axle Hole-Ø	0.39 in
Hub length	1.61 in
Standard	ICWM
Hardness of tread	Shore D 41
Load capacity (dynamic)	275 lbs
Load capacity (static)	550 lbs

Dimensions



Advantages at a glance

Roll performance	● ● ● ○ ○
Movement noise	● ● ○ ○ ○
Attrition	● ● ● ● ○
Corrosion resistance	● ● ● ○ ○