

AGILA

2475PJO050P40

EAN 4031582436396

Swivel caster with wheel brake, housing made of pressed steel, bright zinc plated, blue passivated, double ball bearing swivel head, plate fitting. Wheel center made of Polypropylene, Tread: TENTEprene (thermoplastic rubber), grey non-marking, plain bearing



BETTER MOBILITY. BETTER LIFE.

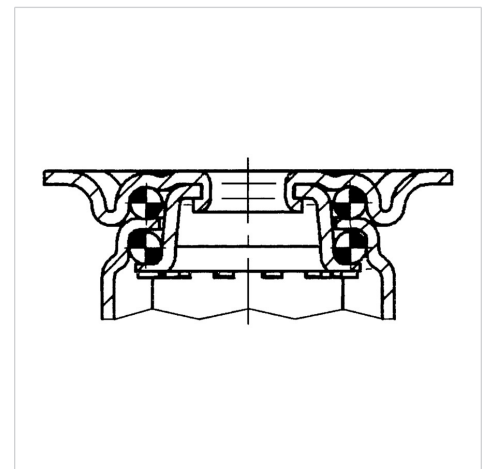


Picture may differ from original product

Technical Data

Wheel diameter	1.97 in
Wheel width	0.75 in
Plate size	2.36 x 2.36 in
Plate hole centers	1.89/1.50 x 1.89/1.50 in
Plate hole	0.25 in
Offset	0.94 in
Overall height	2.72 in
Temperature	- 4 / + 140 °F
Standard	EN 12530
Weight	0.423 lbs
Hardness of tread	Shore A 87
Load capacity (dynamic)	90 lbs
Load capacity (static)	175 lbs

Structure & Mounting



Advantages at a glance

Roll performance	● ● ● ○ ○
Movement noise	● ● ● ○ ○
Attrition	● ● ● ○ ○
Corrosion resistance	○ ○ ○ ○ ○

AGILA

2475PJO050P40

EAN 4031582436396



BETTER MOBILITY. BETTER LIFE.

Structure & Mounting

