

# ZETA

## 4688ITP200P63 Flat

EAN 4031582030525

Fixed caster, Fork made of heavy pressed steel, reinforced, bright zinc plated, blue passivated, wheel axle with nut, plate fitting.  
Wheel center made of Aluminum, Tread: Polyurethane, casted, precision ball bearing



BETTER MOBILITY. BETTER LIFE.

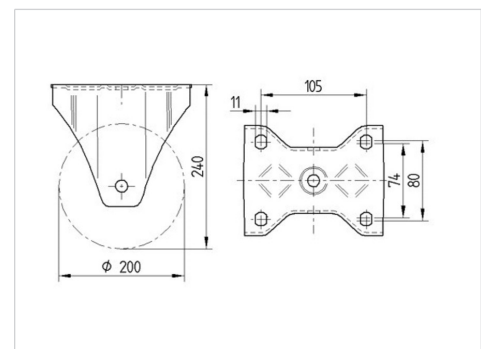


Picture may differ from original product

### Technical Data

Wheel diameter	7.87 in
Wheel width	1.97 in
Caster width	4.61 in
Plate size	5.39 x 4.61 in
Plate hole centers	4.13 x 3.15/2.95 in
Plate hole	0.43 in
Overall height	9.45 in
Temperature	+ 14 / + 140 °F
Standard	EN 12532
Weight	5.829 lbs
Hardness of tread	Shore A 92
Load capacity (dynamic)	1765 lbs
Load capacity (static)	3525 lbs

### Dimensions



### Advantages at a glance

Roll performance	● ● ● ○ ○
Movement noise	● ● ● ○ ○
Attrition	● ● ● ○ ○
Corrosion resistance	● ● ● ○ ○

# ZETA

4688ITP200P63 Flat

EAN 4031582030525



BETTER MOBILITY. BETTER LIFE.

## Structure & Mounting

