

ZETA

4688ITP250P63 Flat

EAN 4031582030532

Fixed caster, Fork made of heavy pressed steel, reinforced, bright zinc plated, blue passivated, wheel axle with nut, plate fitting.
Wheel center made of Aluminum, Tread: Polyurethane, casted, precision ball bearing



BETTER MOBILITY. BETTER LIFE.

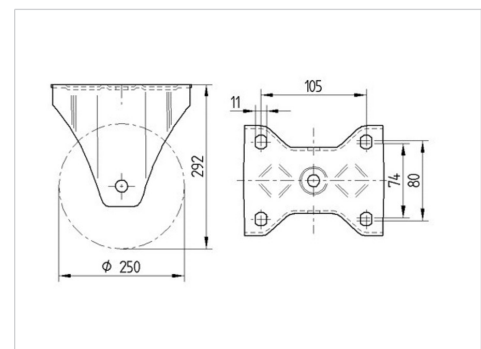


Picture may differ from original product

Technical Data

Wheel diameter	9.84 in
Wheel width	2.17 in
Caster width	4.61 in
Plate size	5.39 x 4.61 in
Plate hole centers	4.13 x 3.15/2.95 in
Plate hole	0.43 in
Overall height	11.42 in
Temperature	+ 14 / + 140 °F
Standard	EN 12532
Weight	8.261 lbs
Hardness of tread	Shore A 92
Load capacity (dynamic)	1765 lbs
Load capacity (static)	3525 lbs

Dimensions



Advantages at a glance

Roll performance	● ● ● ○ ○
Movement noise	● ● ● ○ ○
Attrition	● ● ● ○ ○
Corrosion resistance	● ● ● ○ ○

ZETA

4688ITP250P63 Flat

EAN 4031582030532



BETTER MOBILITY. BETTER LIFE.

Structure & Mounting

