

ZETA

4680ITP200P63 Flat

EAN 4031582010640

Swivel caster, housing made of very heavy pressed steel, reinforced, bright zinc plated, blue passivated, sealed swivel double ball bearing, reinforced and heat-treated ball covers, riveted king pin, wheel axle with nut and dust ring with integrated grease nipple., plate fitting. Wheel center made of Aluminum, Tread: Polyurethane, casted, precision ball bearing



BETTER MOBILITY. BETTER LIFE.



Picture may differ from original product

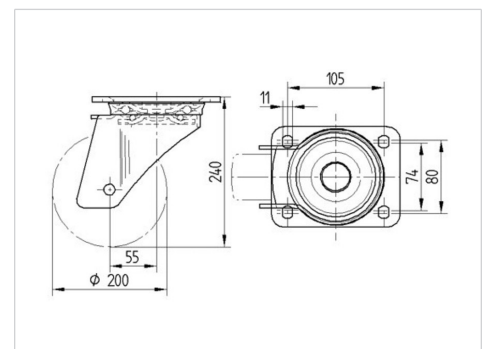
Technical Data

Wheel diameter	7.87 in
Wheel width	1.97 in
Caster width	3.78 in
Plate size	5.39 x 4.13 in
Plate hole centers	4.13 x 3.15/2.95 in
Plate hole	0.43 in
Dome-Ø	3.78 in
Offset	2.17 in
Swivel Interference	12.20 in
Overall height	9.45 in
Temperature	+ 14 / + 140 °F
Standard	EN 12532
Weight	7.835 lbs
Swivel Radius	6.10 in
Hardness of tread	Shore A 92
Load capacity (dynamic)	1765 lbs
Load capacity (static)	3525 lbs

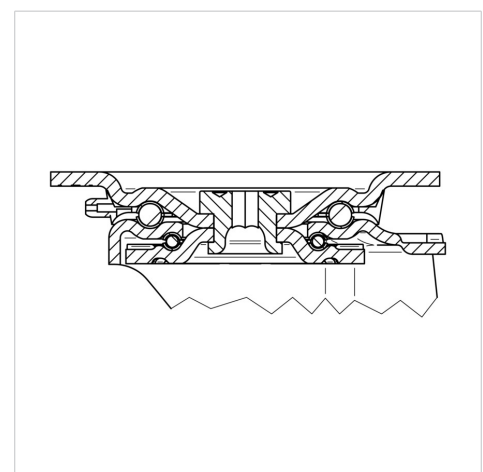
Advantages at a glance

Roll performance	● ● ● ○ ○
Movement noise	● ● ● ○ ○
Attrition	● ● ● ● ○
Corrosion resistance	● ● ● ○ ○

Dimensions



Structure & Mounting



ZETA

4680ITP200P63 Flat

EAN 4031582010640



BETTER MOBILITY. BETTER LIFE.

Structure & Mounting

