

ZETA

4687ITP200P63 Flat

EAN 4031582050585

Swivel caster with total lock, trailing end of caster, housing made of very heavy pressed steel, reinforced, bright zinc plated, blue passivated, sealed swivel double ball bearing, reinforced and heat-treated ball covers, riveted king pin, wheel axle with nut and dust ring with integrated grease nipple., plate fitting. Wheel center made of Aluminum, Tread: Polyurethane, casted, precision ball bearing



BETTER MOBILITY. BETTER LIFE.



Picture may differ from original product

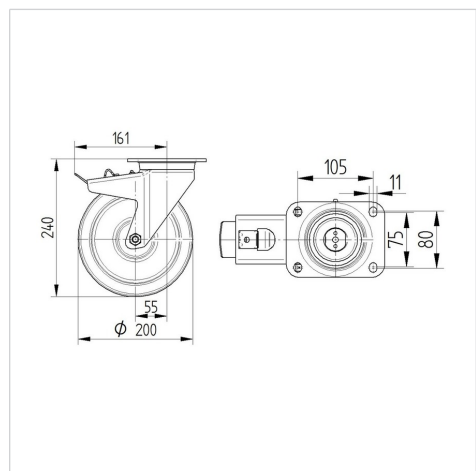
Technical Data

| | |
|-------------------------|---------------------|
| Wheel diameter | 7.87 in |
| Wheel width | 1.97 in |
| Caster width | 3.78 in |
| Plate size | 5.39 x 4.13 in |
| Plate hole centers | 4.13 x 3.15/2.95 in |
| Plate hole | 0.43 in |
| Dome-Ø | 3.78 in |
| Offset | 2.17 in |
| Swivel Interference | 12.68 in |
| Overall height | 9.45 in |
| Temperature | + 14 / + 140 °F |
| Standard | EN 12532 |
| Weight | 7.904 lbs |
| Swivel Radius | 6.34 in |
| Hardness of tread | Shore A 92 |
| Load capacity (dynamic) | 1765 lbs |
| Load capacity (static) | 3525 lbs |

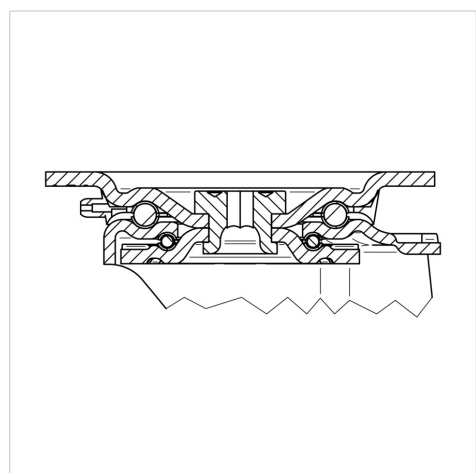
Advantages at a glance

| | |
|----------------------|-----------|
| Roll performance | ● ● ● ○ ○ |
| Movement noise | ● ● ● ○ ○ |
| Attrition | ● ● ● ● ○ |
| Corrosion resistance | ● ● ● ○ ○ |

Dimensions



Structure & Mounting



ZETA

4687ITP200P63 Flat

EAN 4031582050585



BETTER MOBILITY. BETTER LIFE.

Structure & Mounting

