

ZETA

4680UOO250P63

EAN 4031582307900

Swivel caster, housing made of very heavy pressed steel, reinforced, bright zinc plated, blue passivated, sealed swivel double ball bearing, reinforced and heat-treated ball covers, riveted king pin, wheel axle with nut and dust ring with integrated grease nipple., plate fitting. Wheel center made of Polyamide, plain bearing



BETTER MOBILITY. BETTER LIFE.

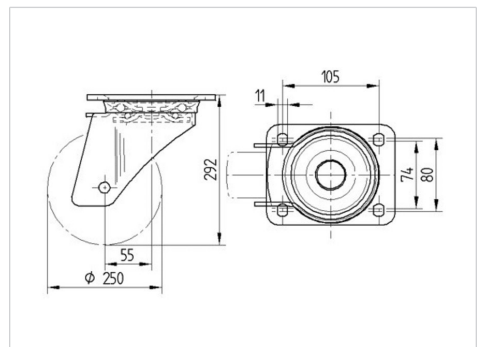


Picture may differ from original product

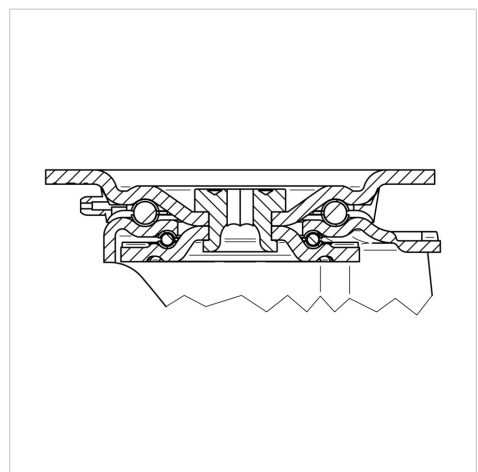
Technical Data

Wheel diameter	9.84 in
Wheel width	1.97 in
Caster width	3.78 in
Plate size	5.39 x 4.13 in
Plate hole centers	4.13 x 3.15/2.95 in
Plate hole	0.43 in
Dome-Ø	3.78 in
Offset	2.17 in
Swivel Interference	14.17 in
Overall height	11.42 in
Temperature	- 22 / + 176 °F
Standard	EN 12532
Weight	7.864 lbs
Swivel Radius	7.09 in
Hardness of tread	Shore D 75
Load capacity (dynamic)	1765 lbs
Load capacity (static)	3525 lbs

Dimensions



Structure & Mounting



Advantages at a glance

Roll performance	● ● ● ○ ○
Movement noise	● ○ ○ ○ ○
Attrition	● ● ● ● ●
Corrosion resistance	● ● ● ○ ○

ZETA

4680UOO250P63

EAN 4031582307900



BETTER MOBILITY. BETTER LIFE.

Structure & Mounting

