

ZETA

4687UOO200P63 WT46

EAN 4031582308204

Swivel caster with total lock, trailing end of caster, housing made of very heavy pressed steel, reinforced, bright zinc plated, blue passivated, sealed swivel double ball bearing, reinforced and heat-treated ball covers, riveted king pin, wheel axle with nut and dust ring with integrated grease nipple., plate fitting. Wheel center made of Polyamide, plain bearing



BETTER MOBILITY. BETTER LIFE.



Picture may differ from original product

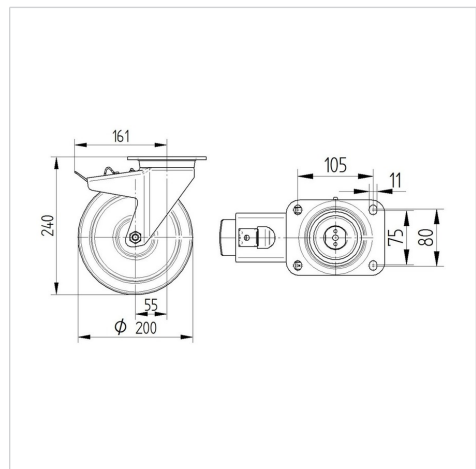
Technical Data

Wheel diameter	7.87 in
Wheel width	1.81 in
Plate size	5.39 x 4.13 in
Plate hole centers	4.13 x 3.15/2.95 in
Plate hole	0.43 in
Offset	2.17 in
Swivel Interference	12.68 in
Overall height	9.45 in
Temperature	- 40 / + 176 °F
Standard	EN 12532
Weight	6.797 lbs
Swivel Radius	6.34 in
Hardness of tread	Shore D 75
Load capacity (dynamic)	1325 lbs
Load capacity (static)	2645 lbs

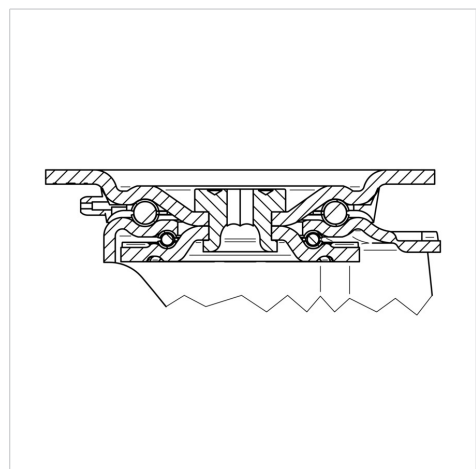
Advantages at a glance

Roll performance	● ● ● ○ ○
Movement noise	● ○ ○ ○ ○
Attrition	● ● ● ● ●
Corrosion resistance	● ● ● ○ ○

Dimensions



Structure & Mounting



ZETA

4687UOO200P63 WT46

EAN 4031582308204



BETTER MOBILITY. BETTER LIFE.

Structure & Mounting

