

ZETA

4688TOO125P63

EAN 4031582308297

Fixed caster, Fork made of heavy pressed steel, reinforced, bright zinc plated, blue passivated, wheel axle with nut, plate fitting.
Wheel center made of Polyamide, heavy duty, plain bearing



BETTER MOBILITY. BETTER LIFE.

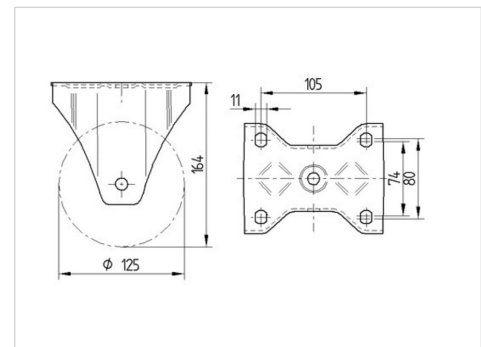


Picture may differ from original product

Technical Data

Wheel diameter	4.92 in
Wheel width	1.97 in
Caster width	4.61 in
Plate size	5.39 x 4.61 in
Plate hole centers	4.13 x 3.15/2.95 in
Plate hole	0.43 in
Overall height	6.46 in
Temperature	- 22 / + 176 °F
Standard	EN 12532
Weight	3.289 lbs
Hardness of tread	Shore D 75
Load capacity (dynamic)	1545 lbs
Load capacity (static)	3085 lbs

Dimensions



Advantages at a glance

Roll performance	● ● ● ○ ○
Movement noise	● ○ ○ ○ ○
Attrition	● ● ● ● ●
Corrosion resistance	● ● ● ○ ○

ZETA

4688TOO125P63

EAN 4031582308297



BETTER MOBILITY. BETTER LIFE.

Structure & Mounting

