

ZETA

4688UOO200P63 WT46

EAN 4031582308341

Fixed caster, Fork made of heavy pressed steel, reinforced, bright zinc plated, blue passivated, wheel axle with nut, plate fitting.
Wheel center made of Polyamide, plain bearing



BETTER MOBILITY. BETTER LIFE.

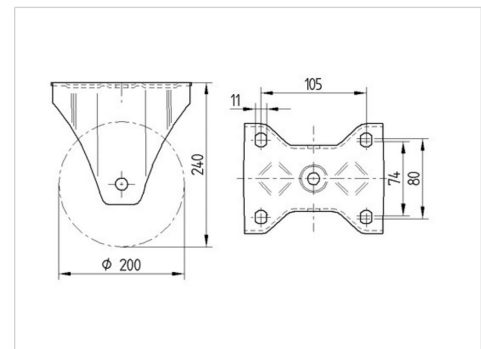


Picture may differ from original product

Technical Data

Wheel diameter	7.87 in
Wheel width	1.81 in
Caster width	4.61 in
Plate size	5.39 x 4.61 in
Plate hole centers	4.13 x 3.15/2.95 in
Plate hole	0.43 in
Overall height	9.45 in
Temperature	- 22 / + 176 °F
Standard	EN 12532
Weight	3.986 lbs
Hardness of tread	Shore D 75
Load capacity (dynamic)	1325 lbs
Load capacity (static)	2645 lbs

Dimensions



Advantages at a glance

Roll performance	● ● ● ○ ○
Movement noise	● ○ ○ ○ ○
Attrition	● ● ● ● ●
Corrosion resistance	● ● ● ○ ○

ZETA

4688UOO200P63 WT46

EAN 4031582308341



BETTER MOBILITY. BETTER LIFE.

Structure & Mounting

