

INTEGRAL

2046XSX200R26-28D45 D RAL9002 4xM8

EAN 4031582444834



BETTER MOBILITY. BETTER LIFE.

Swivel caster with central lock, Frame made of pressed steel, precision ball bearing in swivel head and wheel, housing cover made of synthetic plastic, stem with cam hole for profile bars. Wheel center made of Polyamide, electric conductive, Tread made of injected Polyurethane, with threadguards, precision ball bearing, sealed.

Hint: TÜV Süd certified product. Washable casters must be sealed in the fitting area by the hospital bed manufacturer.

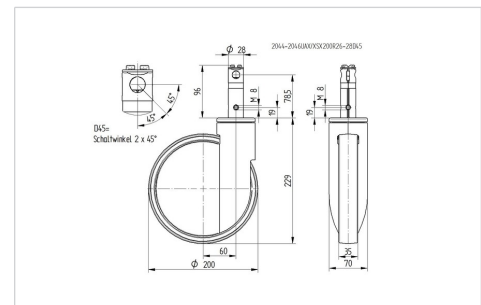


Picture may differ from original product

Technical Data

Wheel diameter	7.87 in
Wheel width	1.38 in
Bolt-Ø	1.10 in
Bolt length	3.78 in
Offset	2.36 in
Swivel Interference	12.60 in
Overall height	9.02 in
Temperature	- 22 / + 176 °F
Standard	EN 12531 (load capacity)
Weight	3.704 lbs
Swivel Radius	6.30 in
Hardness of tread	Shore D 59
Load capacity (dynamic)	330 lbs
Load capacity (static)	990 lbs

Dimensions



Advantages at a glance

Roll performance	● ● ● ○ ○
Movement noise	● ● ● ○ ○
Attrition	● ● ● ○ ○
Corrosion resistance	● ● ● ○ ○

INTEGRAL

2046XSX200R26-28D45 D RAL9002 4xM8

EAN 4031582444834



BETTER MOBILITY. BETTER LIFE.

Structure & Mounting

A collection of three logos is displayed within a white rectangular frame. At the top left is the iF logo, a red square with white lowercase letters 'i' and 'f'. To its right, the text "product design award winner" is written in red. Below the iF logo is the Red Dot award logo, a red sphere with white horizontal stripes. To its right, the text "reddot design award winner" is written in black. At the bottom left is the TÜV SÜD logo, a blue octagonal shield with a white border, containing the letters "TUV" in large white font and "SUD" in smaller white font below it. At the very bottom of the shield, the text "Production monitored Type tested" is written in small white font.