

ULTRATECH

ICP200x50-Ø20 soft

EAN 4031582445114

Wheel centre made of Aluminium, Tread: Polyurethane, casted, Ultratech, suitable especially for higher speeds of up to 16 km/h, precision ball bearing



BETTER MOBILITY. BETTER LIFE.

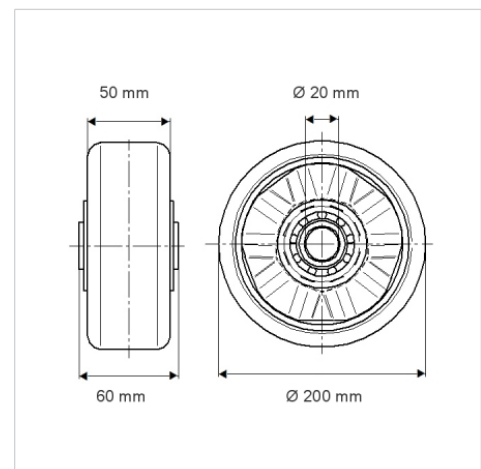


Picture may differ from original product

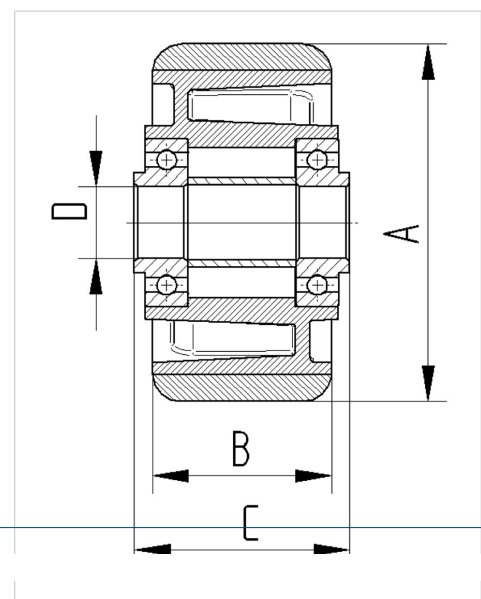
Technical Data

Wheel diameter	7.87 in
Wheel width	1.97 in
Axle Hole-Ø	0.79 in
Hub length	2.36 in
Temperature	- 4 / + 140 °F
Standard	EN 12532
Weight	3.175 lbs
Hardness of tread	Shore A 75
Load capacity (dynamic)	1765 lbs
Load capacity (static)	3525 lbs

Dimensions



Structure & Mounting



Advantages at a glance

Roll performance	● ● ● ○ ○
Movement noise	● ● ● ○ ○
Attrition	● ● ● ○ ○
Corrosion resistance	● ● ● ○ ○