

SUPRATECH

PJP200x32-Ø8

EAN 4031582070286

Wheel center made of Polypropylene, Tread: TENTEprene (thermoplastic rubber), grey non-marking, precision ball bearing, with threadguards



BETTER MOBILITY. BETTER LIFE.

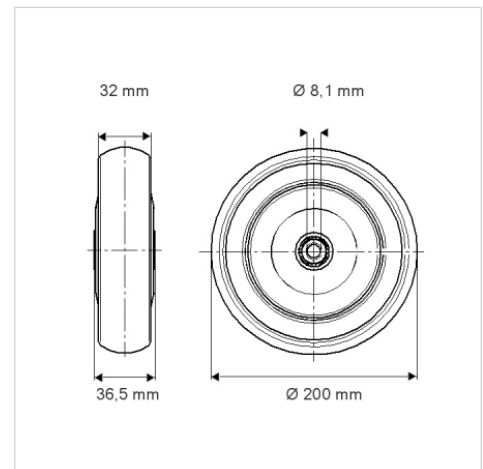


Picture may differ from original product

Technical Data

Wheel diameter	7.87 in
Wheel width	1.26 in
Axle Hole-Ø	0.32 in
Hub length	1.44 in
Temperature	- 4 / + 140 °F
Standard	EN 12530
Weight	1.477 lbs
Hardness of tread	Shore A 80
Load capacity (dynamic)	220 lbs
Load capacity (static)	440 lbs

Dimensions



Advantages at a glance

Roll performance	● ● ● ○ ○
Movement noise	● ● ● ○ ○
Attrition	● ● ● ○ ○
Corrosion resistance	● ● ● ○ ○