

ALPHA

3477POR125P62 Natur (4)

EAN 4031582210286

Swivel caster with total lock, trailing end of caster, housing made of pressed steel, bright zinc plated, blue passivated, double ball bearing swivel head, wheel axle with nut, dustguard, plate fitting. Wheel center made Polypropylene, roller bearing



BETTER MOBILITY. BETTER LIFE.



Picture may differ from original product

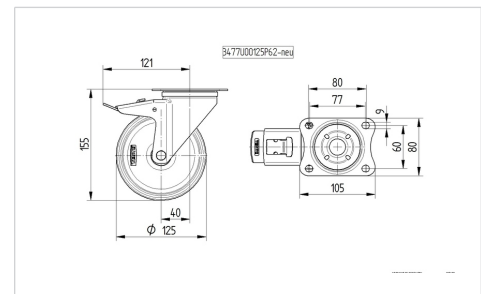
Technical Data

Wheel diameter	4.92 in
Wheel width	1.57 in
Plate size	4.13 x 3.15 in
Plate hole centers	3.15/3.03 x 2.36 in
Plate hole	0.35 in
Offset	1.57 in
Swivel Interference	9.69 in
Overall height	6.10 in
Temperature	- 4 / + 140 °F
Standard	EN 12532
Weight	2.297 lbs
Swivel Radius	4.84 in
Hardness of tread	Shore D 65
Load capacity (dynamic)	440 lbs
Load capacity (static)	880 lbs

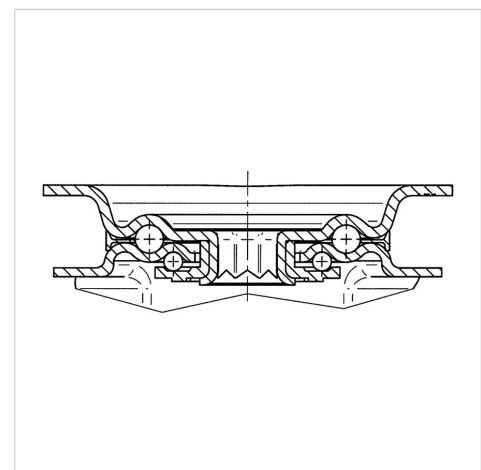
Advantages at a glance

Roll performance	● ● ● ○ ○
Movement noise	● ● ● ○ ○
Attrition	● ● ● ● ●
Corrosion resistance	● ● ● ○ ○

Dimensions



Structure & Mounting



ALPHA

3477POR125P62 Natur (4)

EAN 4031582210286



BETTER MOBILITY. BETTER LIFE.

Structure & Mounting

