

LINEA

5920UAP050L51-10 LOAD RAL9002

EAN 4031582462470

Swivel caster, housing made of Polyamide, with blind hole fitting. Wheel center made of Polyamide, Tread: Polyurethane, precision ball bearing



BETTER MOBILITY. BETTER LIFE.



Picture may differ from original product

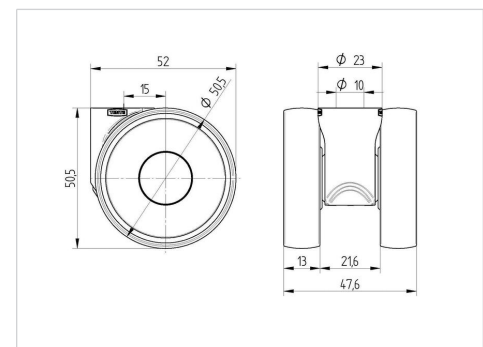
Technical Data

Wheel diameter	1.97 in
Wheel width	0.51 in
Caster width	1.87 in
Center hole	0.39 in
Dome-Ø	0.91 in
Swivel Interference	3.19 in
Overall height	1.97 in
Temperature	- 14 / + 104 °F
Standard	EN 12530
Weight	0.183 lbs
Swivel Radius	1.59 in
Hardness of tread	Shore A 92
Load capacity (dynamic)	220 lbs
Load capacity (static)	440 lbs

Advantages at a glance

Roll performance	● ● ● ● ●
Movement noise	● ● ● ● ○
Attrition	● ● ● ● ●
Corrosion resistance	● ● ● ● ○

Dimensions



Structure & Mounting

