

KAPPA

9650IEP200P63

EAN 4031582471854

Swivel caster, housing and plate steel-welded, bright zinc plated, blue passivated, sealed swivel bearing with dual purpose bearing and tapered roller bearing, threaded king pin and locking nut secured, grease nipple, wheel axle with nut, plate fitting. Wheel center made of Aluminum, Tread: black elastic-tire, vulcanized, precision ball bearing



BETTER MOBILITY. BETTER LIFE.

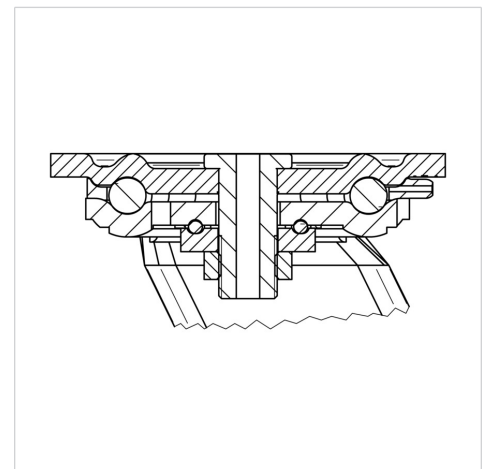


Picture may differ from original product

Technical Data

Wheel diameter	7.87 in
Wheel width	1.97 in
Plate size	5.31 x 4.33 in
Plate hole centers	4.13 x 3.15/2.95 in
Plate hole	0.43 in
Offset	2.32 in
Swivel Interference	12.52 in
Overall height	9.65 in
Temperature	- 4 / + 176 °F
Swivel Radius	6.26 in
Hardness of tread	Shore 68 A
Load capacity (static)	1985 lbs

Structure & Mounting



Advantages at a glance

Roll performance	● ● ● ○ ○
Movement noise	● ● ● ○ ○
Attrition	● ● ● ○ ○
Corrosion resistance	● ● ● ○ ○

KAPPA

9650IEP200P63

EAN 4031582471854



BETTER MOBILITY. BETTER LIFE.

Structure & Mounting

