

# ZETA

4681UOO200P63 WT46

EAN 4031582308068

Swivel caster with directional lock, housing made of very heavy pressed steel, reinforced, bright zinc plated, blue passivated, sealed swivel double ball bearing, reinforced and heat-treated ball covers, riveted king pin, wheel axle with nut and dust ring with integrated grease nipple., plate fitting. Wheel center made of Polyamide, plain bearing



BETTER MOBILITY. BETTER LIFE.



Picture may differ from original product

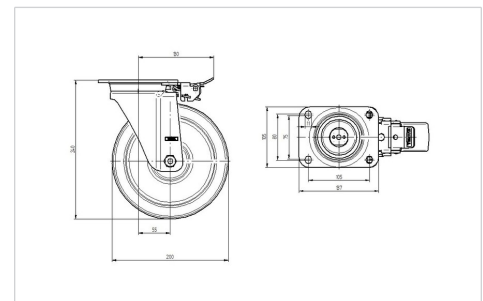
## Technical Data

Wheel diameter	7.87 in
Wheel width	1.81 in
Plate size	5.39 x 4.13 in
Plate hole centers	4.13 x 3.15/2.95 in
Plate hole	0.43 in
Offset	2.17 in
Swivel Interference	9.06 in
Overall height	9.45 in
Temperature	- 40 / + 176 °F
Standard	EN 12532
Weight	6.312 lbs
Hardness of tread	Shore D 75
Load capacity (dynamic)	1325 lbs
Load capacity (static)	2645 lbs

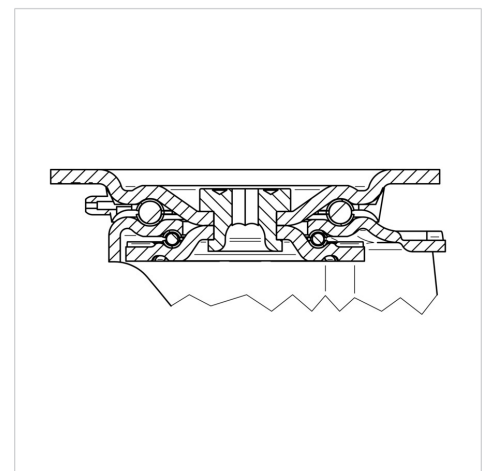
## Advantages at a glance

Roll performance	● ● ● ○ ○
Movement noise	● ○ ○ ○ ○
Attrition	● ● ● ● ●
Corrosion resistance	● ● ● ○ ○

## Dimensions



## Structure & Mounting



# ZETA

4681UOO200P63 WT46

EAN 4031582308068



BETTER MOBILITY. BETTER LIFE.

## Structure & Mounting

