

# COMPACTA

1430POI038P60-46x38

EAN 4031582336672



BETTER MOBILITY. BETTER LIFE.

Swivel caster, housing made of pressed steel, bright zinc plated, blue passivated, single ball race swivel head, axle riveted, plate fitting. Wheel center made of Polypropylene, plain bearing

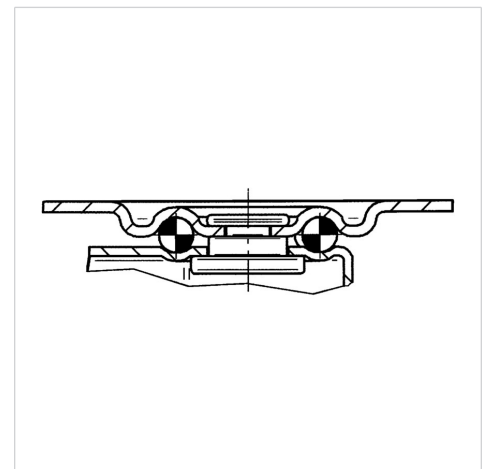


Picture may differ from original product

## Technical Data

Wheel diameter	1.5 in
Wheel width	0.63 in
Caster width	1.26 in
Plate size	1.81 x 1.50 in
Plate hole centers	1.42 x 1.10 in
Plate hole	0.21 in
Dome-Ø	1.26 in
Offset	0.51 in
Swivel Interference	2.52 in
Overall height	1.99 in
Temperature	- 4 / + 140 °F
Standard	EN 12528
Weight	0.157 lbs
Swivel Radius	1.26 in
Hardness of tread	Shore D 65
Load capacity (dynamic)	55 lbs
Load capacity (static)	110 lbs

## Structure & Mounting



## Advantages at a glance

Roll performance	● ● ● ○ ○
Movement noise	● ● ● ○ ○
Attrition	● ● ● ● ●
Corrosion resistance	● ● ● ○ ○