

# STYLEA

5920UOI065B10-11x20 DOM27

EAN 4031582335682

Swivel caster, housing made of Polyamide, stem with circlip. Wheel center made of Polyamide, plain bearing



BETTER MOBILITY. BETTER LIFE.

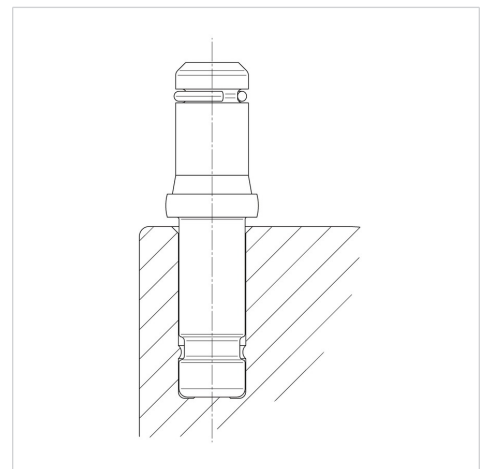


Picture may differ from original product

## Technical Data

Wheel diameter	2.56 in
Wheel width	0.31 in
Caster width	1.69 in
Metal stem with circlip	0.43 x 0.79 in
Dome-Ø	1.06 in
Offset	0.98 in
Swivel Interference	4.17 in
Overall height	2.68 in
Temperature	- 4 / + 140 °F
Standard	EN 12528
Weight	0.273 lbs
Swivel Radius	2.09 in
Hardness of tread	Shore D 65
Load capacity (dynamic)	110 lbs
Load capacity (static)	220 lbs

## Structure & Mounting



## Advantages at a glance

Roll performance	● ● ● ○ ○
Movement noise	● ● ● ○ ○
Attrition	● ● ● ● ●
Corrosion resistance	● ● ● ● ○