

ALPHA

3470UFR125P62 blue

EAN 4031582304442

Swivel caster, housing made of pressed steel, bright zinc plated, blue passivated, double ball bearing swivel head, wheel axle with nut, dustguard, plate fitting. Wheel center made of Polyamide, Tread: elastic-tire, non-marking, roller bearing



BETTER MOBILITY. BETTER LIFE.

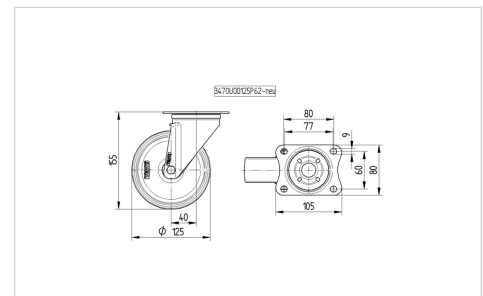


Picture may differ from original product

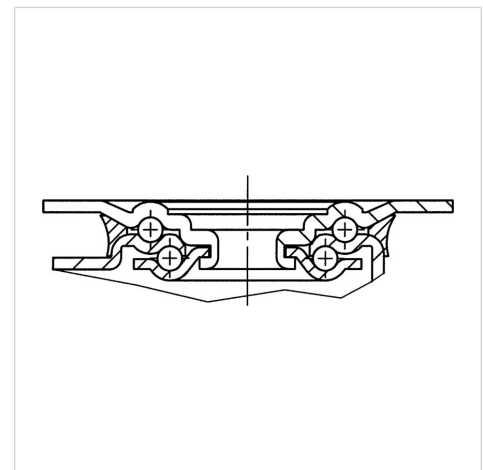
Technical Data

Wheel diameter	4.92 in
Wheel width	1.57 in
Caster width	2.95 in
Plate size	4.13 x 3.15 in
Plate hole centers	3.15/3.03 x 2.36 in
Plate hole	0.35 in
Dome-Ø	2.95 in
Offset	1.57 in
Swivel Interference	8.07 in
Overall height	6.10 in
Temperature	- 4 / + 176 °F
Standard	EN 12532
Weight	2.112 lbs
Swivel Radius	4.04 in
Hardness of tread	Shore A 63
Load capacity (dynamic)	550 lbs
Load capacity (static)	1100 lbs

Dimensions



Structure & Mounting



Advantages at a glance

Roll performance	● ● ● ○ ○
Movement noise	● ● ● ● ●
Attrition	● ● ● ○ ○
Corrosion resistance	● ● ● ○ ○

ALPHA

3470UFR125P62 blue

EAN 4031582304442



BETTER MOBILITY. BETTER LIFE.

Structure & Mounting

