

NOVATECH

ETP080x54-Ø20 HL60

EAN 4031582318579

Wheel center made of steel, Tread: Polyurethane, casted, precision ball bearing.

Load capacities on a smooth, even surface.



BETTER MOBILITY. BETTER LIFE.

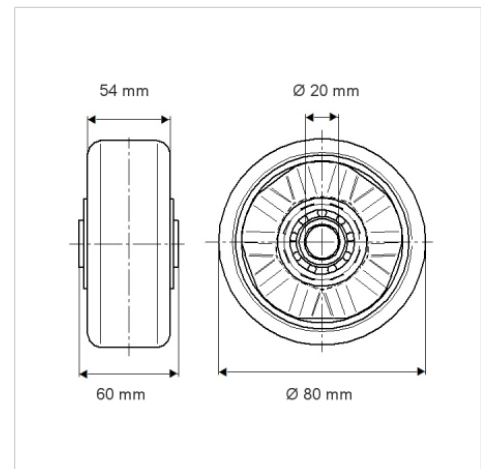


Picture may differ from original product

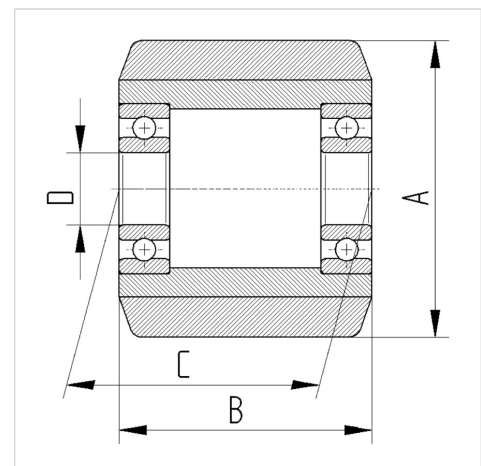
Technical Data

Wheel diameter	3.15 in
Wheel width	2.13 in
Axle Hole-Ø	0.79 in
Hub length	2.36 in
Temperature	+ 14 / + 140 °F
Standard	EN 12532
Weight	1.883 lbs
Hardness of tread	Shore A 92
Bearing	6204ZV No
Load capacity (dynamic)	1100 lbs
Load capacity (static)	2205 lbs

Dimensions



Structure & Mounting



Advantages at a glance

Roll performance	● ● ● ● ○
Movement noise	● ● ● ○ ○
Attrition	● ● ● ● ○
Corrosion resistance	● ● ● ○ ○

NOVATECH

ETP080x54-Ø20 HL60

EAN 4031582318579



BETTER MOBILITY. BETTER LIFE.

Structure & Mounting

