

INTEGRAL TWIN

2946UAP100R26-28S45 4xM8

EAN 4031582302585

Swivel caster with central lock, Frame made of pressed steel, precision ball bearing in swivel head, housing with synthetic cover, stem with cam hole for profile bars. Wheel center made of Polyamide, Tread: Polyurethane, precision ball bearing
Hint: TÜV Süd certified product.



BETTER MOBILITY. BETTER LIFE.

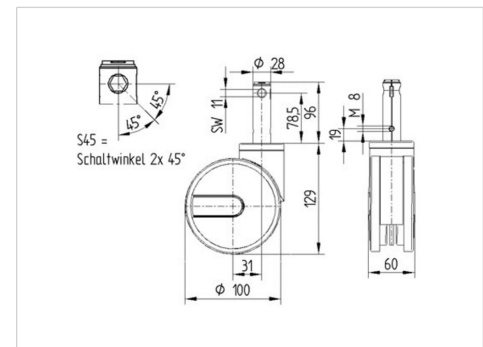


Picture may differ from original product

Technical Data

Wheel diameter	3.94 in
Wheel width	0.59 in
Caster width	2.48 in
Bolt-Ø	1.10 in
Bolt length	3.78 in
Dome-Ø	2.42 in
Offset	1.22 in
Swivel Interference	6.69 in
Overall height	5.08 in
Temperature	- 13 / + 176 °F
Standard	EN 12531
Weight	2.306 lbs
Swivel Radius	3.35 in
Hardness of tread	Shore D 42
Load capacity (dynamic)	275 lbs
Load capacity (static)	825 lbs

Dimensions



Advantages at a glance

Roll performance	● ● ● ● ●
Movement noise	● ● ● ○ ○
Attrition	● ● ● ○ ○
Corrosion resistance	● ● ● ○ ○

INTEGRAL TWIN

2946UAP100R26-28S45 4xM8

EAN 4031582302585



BETTER MOBILITY. BETTER LIFE.

Structure & Mounting

