

# LUMINA

AA20POI050L51-10

EAN 4031582335736



BETTER MOBILITY. BETTER LIFE.

Swivel caster, housing made of Polypropylene, with blind hole fitting.  
Wheel center made of Polypropylene, plain bearing

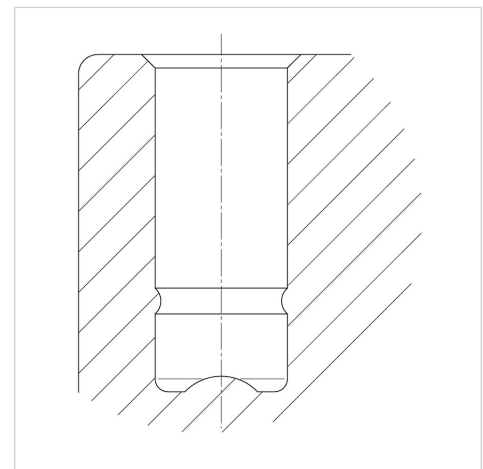


Picture may differ from original product

## Technical Data

Wheel diameter	1.97 in
Wheel width	0.28 in
Caster width	2.17 in
Center hole	0.39 in
Offset	0.79 in
Swivel Interference	4.09 in
Overall height	2.20 in
Temperature	- 4 / + 140 °F
Standard	EN 12528
Weight	0.176 lbs
Swivel Radius	2.05 in
Hardness of tread	Shore D 65
Load capacity (dynamic)	90 lbs
Load capacity (static)	175 lbs

## Structure & Mounting



## Advantages at a glance

Roll performance	● ● ● ○ ○
Movement noise	● ● ● ○ ○
Attrition	● ● ● ○ ○
Corrosion resistance	● ● ● ○ ○