

DELTA

3640ITP160P63 SH80

EAN 4031582337273

Swivel caster, housing made of heavy pressed steel, bright zinc plated, blue passivated, precision ball bearing swivel head, sealed, wheel axle with nut, plate fitting. Wheel center made of Aluminum, Tread: Polyurethane, casted, precision ball bearing



BETTER MOBILITY. BETTER LIFE.

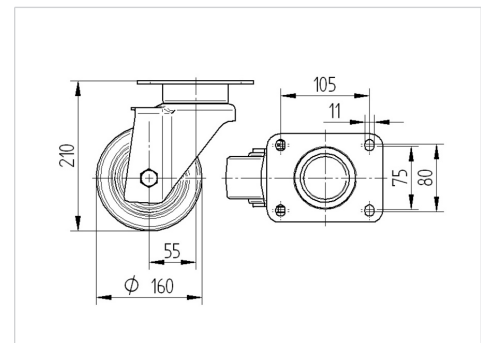


Picture may differ from original product

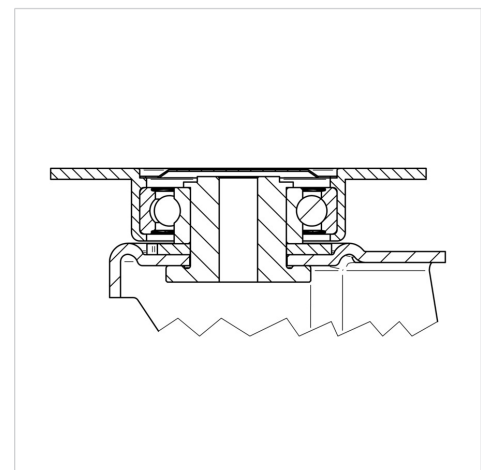
Technical Data

Wheel diameter	6.3 in
Wheel width	1.97 in
Caster width	3.70 in
Plate size	5.39 x 4.13 in
Plate hole centers	4.13 x 3.15/2.95 in
Plate hole	0.43 in
Dome-Ø	3.70 in
Offset	2.17 in
Swivel Interference	10.63 in
Overall height	8.27 in
Temperature	+ 14 / + 140 °F
Standard	EN 12532
Weight	7.090 lbs
Swivel Radius	5.31 in
Hardness of tread	Shore A 80
Load capacity (dynamic)	1215 lbs
Load capacity (static)	2425 lbs

Dimensions



Structure & Mounting



Advantages at a glance

Roll performance	● ● ● ○ ○
Movement noise	● ● ● ○ ○
Attrition	● ● ● ● ○
Corrosion resistance	● ● ● ○ ○

DELTA

3640ITP160P63 SH80

EAN 4031582337273



BETTER MOBILITY. BETTER LIFE.

Structure & Mounting

