

DELTA

3648ITP200P63 Flat

EAN 4031582337402

Fixed caster, Fork made of heavy pressed steel, bright zinc plated, blue passivated, wheel axle with nut, plate fitting.

Wheel center made of Aluminum, Tread: Polyurethane, casted, precision ball bearing



BETTER MOBILITY. BETTER LIFE.

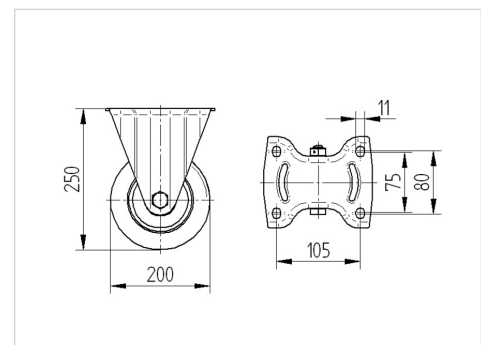


Picture may differ from original product

Technical Data

Wheel diameter	7.87 in
Wheel width	1.97 in
Caster width	4.53 in
Plate size	5.39 x 4.53 in
Plate hole centers	4.13 x 3.15/2.95 in
Plate hole	0.43 in
Dome-Ø	4.53 in
Overall height	9.84 in
Temperature	+ 14 / + 140 °F
Standard	EN 12532
Weight	5.575 lbs
Hardness of tread	Shore A 92
Load capacity (dynamic)	1325 lbs
Load capacity (static)	2645 lbs

Dimensions



Advantages at a glance

Roll performance	● ● ● ○ ○
Movement noise	● ● ● ○ ○
Attrition	● ● ● ● ○
Corrosion resistance	● ● ● ○ ○

DELTA

3648ITP200P63 Flat

EAN 4031582337402



BETTER MOBILITY. BETTER LIFE.

Structure & Mounting

