

ALPHA

3470UER100P62

EAN 4031582010817

Swivel caster, housing made of pressed steel, bright zinc plated, blue passivated, double ball bearing swivel head, wheel axle with nut, dustguard, plate fitting. Wheel center made of Polyamide, Tread: elastic-tire, black, roller bearing



BETTER MOBILITY. BETTER LIFE.

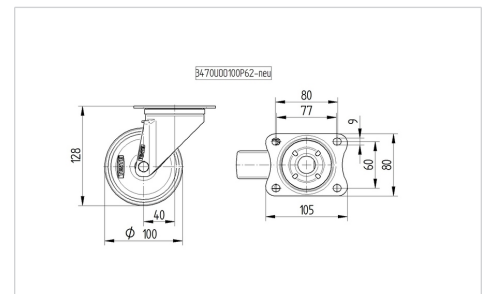


Picture may differ from original product

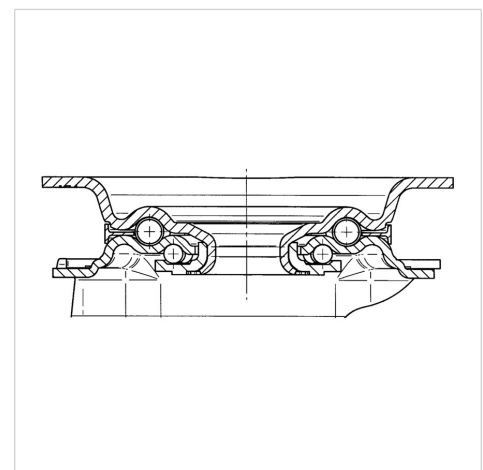
Technical Data

Wheel diameter	3.94 in
Wheel width	1.34 in
Caster width	2.95 in
Plate size	4.13 x 3.15 in
Plate hole centers	3.15/3.03 x 2.36 in
Plate hole	0.35 in
Dome-Ø	2.95 in
Offset	1.61 in
Swivel Interference	7.17 in
Overall height	5.04 in
Temperature	- 4 / + 176 °F
Standard	EN 12532
Weight	1.856 lbs
Swivel Radius	3.58 in
Hardness of tread	Shore A 63
Load capacity (dynamic)	355 lbs
Load capacity (static)	705 lbs

Dimensions



Structure & Mounting



Advantages at a glance

Roll performance	● ● ● ○ ○
Movement noise	● ● ● ● ●
Attrition	● ● ● ○ ○
Corrosion resistance	● ● ● ○ ○

ALPHA

3470UER100P62

EAN 4031582010817



BETTER MOBILITY. BETTER LIFE.

Structure & Mounting

