

INTEGRAL

2044XSX150R36-32S30 4xM6

EAN 4031582341041

Swivel Caster with central, total or directional lock, Frame made of pressed steel, precision ball bearing in swivel head and wheel, housing cover made of synthetic plastic, stem with cam hole for profile bars, short version. Wheel center made of Polyamide, electric conductive, Tread made of injected Polyurethane, with threadguards, precision ball bearing, sealed.

Hint: TÜV Süd certified product. Washable casters must be sealed in the fitting area by the hospital bed manufacturer.



BETTER MOBILITY. BETTER LIFE.



Picture may differ from original product

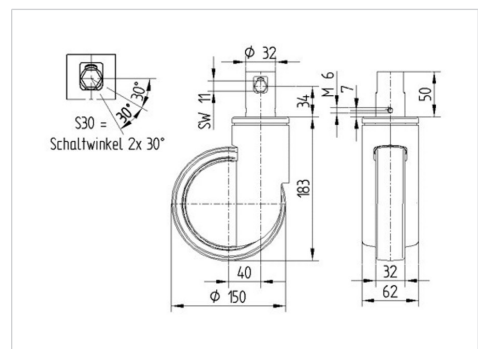
Technical Data

| | |
|-------------------------|----------------|
| Wheel diameter | 5.91 in |
| Wheel width | 1.26 in |
| Caster width | 2.44 in |
| Bolt-Ø | 1.26 in |
| Bolt length | 2.01 in |
| Dome-Ø | 2.44 in |
| Offset | 1.57 in |
| Swivel Interference | 9.06 in |
| Overall height | 7.20 in |
| Temperature | - 13 / - 13 °F |
| Standard | EN 12531 |
| Weight | 2.242 lbs |
| Swivel Radius | 4.53 in |
| Hardness of tread | Shore D 40 |
| Load capacity (dynamic) | 330 lbs |
| Load capacity (static) | 990 lbs |

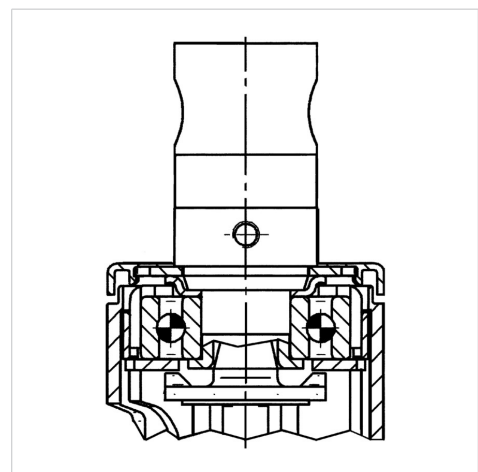
Advantages at a glance

| | |
|----------------------|-----------|
| Roll performance | ● ● ● ○ ○ |
| Movement noise | ● ● ● ○ ○ |
| Attrition | ● ● ● ○ ○ |
| Corrosion resistance | ● ● ● ○ ○ |

Dimensions



Structure & Mounting



INTEGRAL

2044XSX150R36-32S30 4xM6

EAN 4031582341041



BETTER MOBILITY. BETTER LIFE.

Structure & Mounting

