

LINEA

5946UAP125R36-34XS S30

EAN 4031582348392

Swivel caster with central lock, housing made of Polyamide, precision ball bearing in swivel head, stem with cam hole for profile bars, short version. Wheel center made of Polyamide, Tread: Polyurethane, precision ball bearing TÜV Süd certified product.



BETTER MOBILITY. BETTER LIFE.



Picture may differ from original product

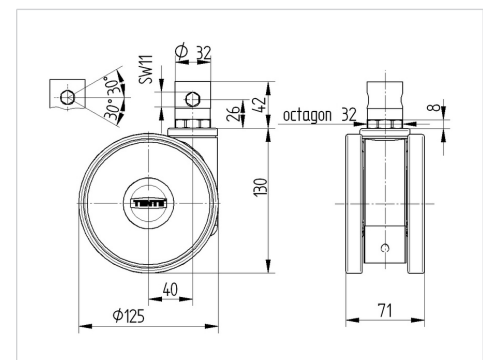
Technical Data

Wheel diameter	4.92 in
Wheel width	0.59 in
Caster width	2.80 in
Bolt-Ø	1.26 in
Bolt length	1.65 in
Dome-Ø	1.79 in
Offset	1.57 in
Swivel Interference	8.50 in
Overall height	5.12 in
Temperature	+ 14 / + 104 °F
Standard	EN 12531
Weight	1.803 lbs
Swivel Radius	4.25 in
Hardness of tread	Shore D 42
Load capacity (dynamic)	330 lbs
Load capacity (static)	990 lbs

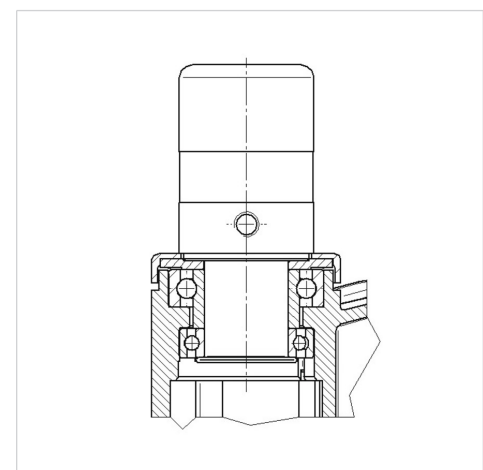
Advantages at a glance

Roll performance	● ● ● ● ●
Movement noise	● ● ● ○ ○
Attrition	● ● ● ○ ○
Corrosion resistance	● ● ● ● ○

Dimensions



Structure & Mounting



LINEA

5946UAP125R36-34XS S30

EAN 4031582348392



BETTER MOBILITY. BETTER LIFE.

Structure & Mounting

