

LEVINA

5377PJP100P51

EAN 4031582368994

Swivel caster with total lock, trailing end of caster, housing and wheels made from high grade synthetic materials, double ball bearing swivel head, plate fitting. Wheel center made of Polypropylene, Tread: TENTEprene (thermoplastic rubber), grey non-marking, precision ball bearing

Hint: These casters are available with grey locking lever.



BETTER MOBILITY. BETTER LIFE.

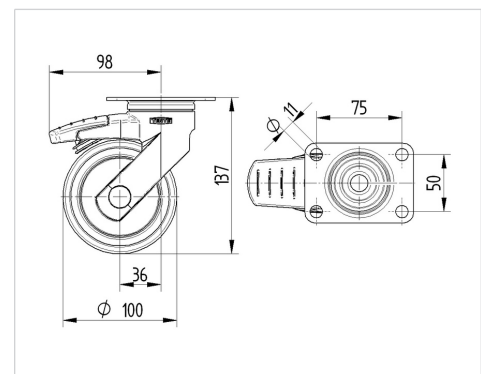


Picture may differ from original product

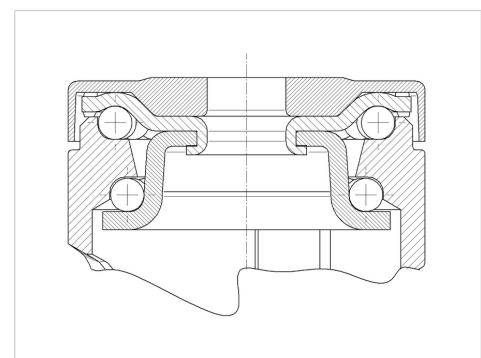
Technical Data

Wheel diameter	3.94 in
Wheel width	1.26 in
Caster width	2.32 in
Plate size	3.74 x 2.76 in
Plate hole centers	2.95 x 1.97 in
Plate hole	0.43 in
Dome-Ø	2.32 in
Offset	1.42 in
Swivel Interference	7.72 in
Overall height	5.55 in
Temperature	- 14 / + 104 °F
Standard	EN 12530
Weight	1.208 lbs
Swivel Radius	3.86 in
Hardness of tread	Shore A 87
Load capacity (dynamic)	220 lbs
Load capacity (static)	440 lbs

Dimensions



Structure & Mounting



Advantages at a glance

Roll performance	● ● ● ○ ○
Movement noise	● ● ● ○ ○
Attrition	● ● ● ○ ○
Corrosion resistance	● ● ● ● ○

LEVINA

5377PJP100P51

EAN 4031582368994



BETTER MOBILITY. BETTER LIFE.

Structure & Mounting

