

ALPHA

3472DVR160P63

EAN 4031582304886

Swivel caster with total lock, leading end of caster, housing made of pressed steel, bright zinc plated, blue passivated, double ball bearing swivel head, wheel axle with nut, dustguard, plate fitting. Wheel center made of pressed steel, Tread: solid rubber, black, roller bearing



BETTER MOBILITY. BETTER LIFE.



Picture may differ from original product

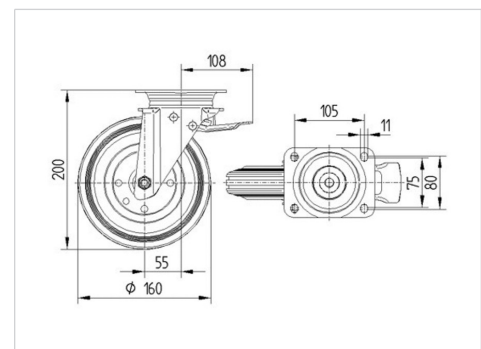
Technical Data

Wheel diameter	6.3 in
Wheel width	1.57 in
Plate size	5.39 x 4.13 in
Plate hole centers	4.13 x 3.15/2.95 in
Plate hole	0.43 in
Offset	2.17 in
Swivel Interference	10.63 in
Overall height	7.87 in
Temperature	- 4 / + 140 °F
Standard	EN 12532
Weight	5.867 lbs
Swivel Radius	5.31 in
Hardness of tread	Shore A 85
Load capacity (dynamic)	300 lbs
Load capacity (static)	595 lbs

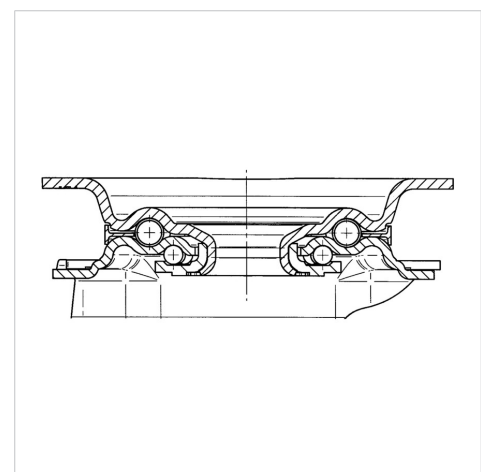
Advantages at a glance

Roll performance	● ● ● ○ ○
Movement noise	● ● ● ○ ○
Attrition	● ● ○ ○ ○
Corrosion resistance	● ● ● ○ ○

Dimensions



Structure & Mounting



ALPHA

3472DVR160P63

EAN 4031582304886



BETTER MOBILITY. BETTER LIFE.

Structure & Mounting

