

MAXTECH

UAR160x40-Ø20 HL58 red

EAN 4031582323191

Wheel center made of Polyamide, Tread: Polyurethane, roller bearing



BETTER MOBILITY. BETTER LIFE.

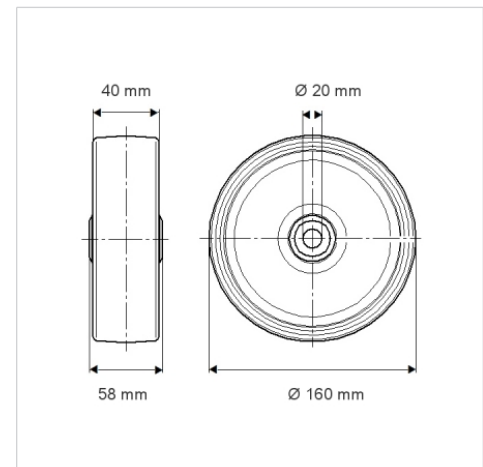


Picture may differ from original product

Technical Data

Wheel diameter	6.3 in
Wheel width	1.57 in
Axle Hole-Ø	0.79 in
Hub length	2.28 in
Temperature	- 13 / + 176 °F
Standard	EN 12532
Weight	1.484 lbs
Hardness of tread	Shore D 42
Load capacity (dynamic)	770 lbs
Load capacity (static)	1545 lbs

Dimensions



Advantages at a glance

Roll performance	● ● ● ○ ○
Movement noise	● ● ● ○ ○
Attrition	● ● ● ○ ○
Corrosion resistance	● ● ● ○ ○