

# LEVINA

5380PJC125R05-28x45

EAN 4031582349153

Swivel caster, housing made from high grade synthetic materials with metal parts made of Stainless Steel, double ball bearing swivel head, solid plug fitting. Wheel center made of Polypropylene, Tread: TENTEprene (thermoplastic rubber), grey non-marking, with threadguards, precision ball bearing, stainless



BETTER MOBILITY. BETTER LIFE.

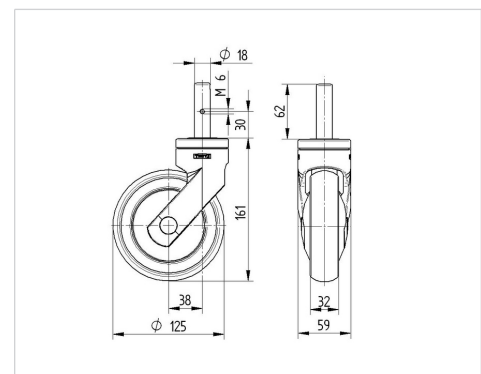


Picture may differ from original product

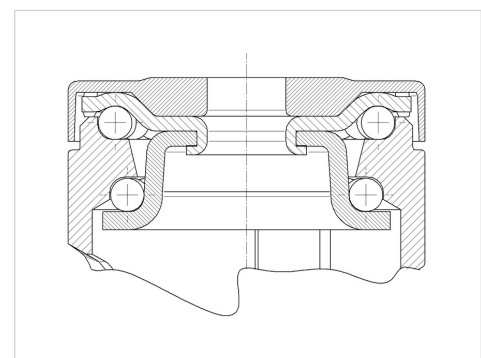
## Technical Data

Wheel diameter	4.92 in
Wheel width	1.26 in
Caster width	2.32 in
Bolt-Ø	1.10 in
Bolt length	1.77 in
Dome-Ø	2.32 in
Offset	1.50 in
Swivel Interference	7.91 in
Overall height	6.34 in
Temperature	- 14 / + 104 °F
Standard	EN 12530
Weight	1.671 lbs
Swivel Radius	3.96 in
Hardness of tread	Shore A 87
Load capacity (dynamic)	220 lbs
Load capacity (static)	440 lbs

## Dimensions



## Structure & Mounting



## Advantages at a glance

Roll performance	● ● ● ○ ○
Movement noise	● ● ● ● ○
Attrition	● ● ● ○ ○
Corrosion resistance	● ● ● ● ●

PRODUCT INFORMATION

# LEVINA

5380PJC125R05-28x45

EAN 4031582349153



BETTER MOBILITY. BETTER LIFE.

## Structure & Mounting

---

