

KAPPA

9680ITP100P63 Flat

EAN 4031582315172

Swivel caster, housing and plate steel-welded, bright zinc plated, blue passivated, sealed single swivel double ball bearing, threaded king pin and locking nut secured, grease nipple, wheel axle with nut, plate fitting. Wheel center made of Aluminum, Tread: Polyurethane, casted, precision ball bearing



BETTER MOBILITY. BETTER LIFE.

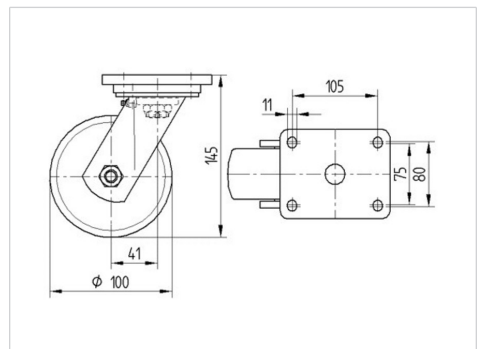


Picture may differ from original product

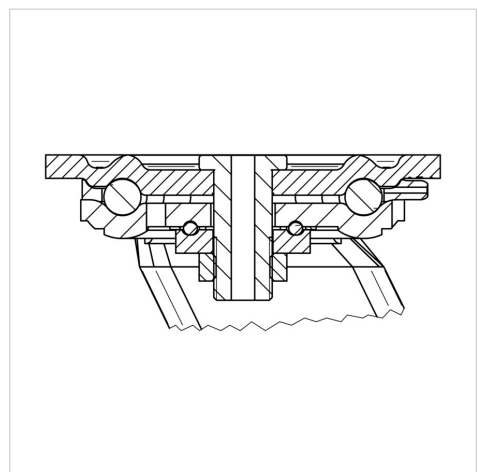
Technical Data

Wheel diameter	3.94 in
Wheel width	1.97 in
Caster width	4.33 in
Plate size	5.31 x 4.33 in
Plate hole centers	4.13 x 3.15/2.95 in
Plate hole	0.43 in
Dome-Ø	4.37 in
Offset	1.61 in
Swivel Interference	7.48 in
Overall height	5.71 in
Temperature	+ 14 / + 140 °F
Standard	EN 12532
Weight	7.584 lbs
Swivel Radius	3.74 in
Hardness of tread	Shore A 92
Load capacity (dynamic)	1190 lbs
Load capacity (static)	2380 lbs

Dimensions



Structure & Mounting



Advantages at a glance

Roll performance	● ● ● ○ ○
Movement noise	● ● ● ○ ○
Attrition	● ● ● ● ○
Corrosion resistance	● ● ● ○ ○

KAPPA

9680ITP100P63 Flat

EAN 4031582315172



BETTER MOBILITY. BETTER LIFE.

Structure & Mounting

