

# KAPPA

## 9688FTP150P63 WT60

EAN 4031582316131

Fixed caster, Fork and plate steel welded, bright zinc plated, blue passivated, wheel axle with nut, plate fitting.  
Wheel center made of cast iron, Tread: Polyurethane, casted, precision ball bearing



BETTER MOBILITY. BETTER LIFE.

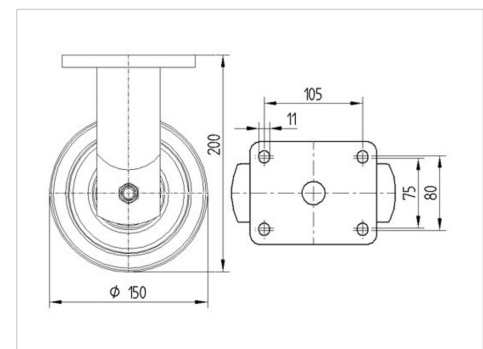


Picture may differ from original product

### Technical Data

Wheel diameter	5.91 in
Wheel width	2.36 in
Caster width	3.86 in
Plate size	5.31 x 4.33 in
Plate hole centers	4.13 x 3.15/2.95 in
Plate hole	0.43 in
Dome-Ø	3.78 in
Overall height	7.87 in
Temperature	+ 14 / + 140 °F
Standard	EN 12533
Weight	12.244 lbs
Hardness of tread	Shore A 92
Load capacity (dynamic)	1765 lbs
Load capacity (static)	3525 lbs

### Dimensions



### Advantages at a glance

Roll performance	● ● ● ● ○
Movement noise	● ● ● ○ ○
Attrition	● ● ● ● ○
Corrosion resistance	● ● ● ○ ○

# KAPPA

9688FTP150P63 WT60

EAN 4031582316131



BETTER MOBILITY. BETTER LIFE.

## Structure & Mounting

