

# ALPHA

3479UFR125P70 Q1-13

EAN 4031582358254

Swivel caster with central lock The locking mechanism is activated through the cam via a lever. The lever remains in the set position. The lever has to be actuated again to reverse the brake bolt to position 0. Cam bore perpendicular to the long side of plate, SW 13 mm, housing made of pressed steel, bright zinc plated, blue passivated, double ball bearing swivel head, wheel axle with nut Wheel center made of Polyamide, Tread: elastic-tire, non-marking, roller bearing



BETTER MOBILITY. BETTER LIFE.

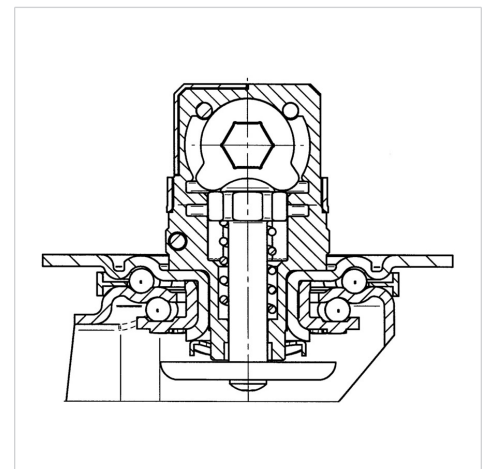


Picture may differ from original product

## Technical Data

Wheel diameter	4.92 in
Wheel width	1.57 in
Plate size	4.13 x 3.35 in
Plate hole centers	3.15/3.03 x 2.36 in
Plate hole	0.35 in
Offset	1.57 in
Swivel Interference	8.07 in
Overall height	6.10 in
Temperature	- 4 / + 176 °F
Standard	EN 12532
Weight	2.760 lbs
Swivel Radius	4.04 in
Load capacity (dynamic)	550 lbs
Load capacity (static)	1100 lbs

## Structure & Mounting



## Advantages at a glance

Roll performance	● ● ● ○ ○
Movement noise	● ● ● ● ●
Attrition	● ● ● ○ ○
Corrosion resistance	● ● ● ○ ○

# ALPHA

3479UFR125P70 Q1-13

EAN 4031582358254



BETTER MOBILITY. BETTER LIFE.

## Structure & Mounting

