

OMIKRON

9250FTP300P65

EAN 4031582314007

Swivel caster, housing and plate steel-welded, zinc plated, blue passivated, sealed swivel bearing with dual purpose bearing and tapered roller bearing, threaded king pin and locking nut secured, grease nipple, wheel axle with nut, plate fitting. Wheel center made of cast iron, Tread: Polyurethane, casted, precision ball bearing



BETTER MOBILITY. BETTER LIFE.



Picture may differ from original product

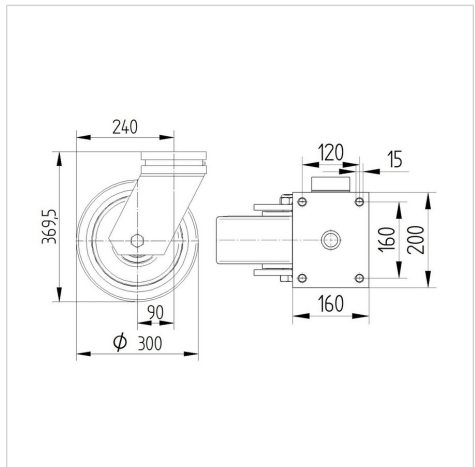
Technical Data

Wheel diameter	11.81 in
Wheel width	3.94 in
Plate size	7.87 x 6.30 in
Plate hole centers	6.30 x 4.72 in
Plate hole	0.59 in
Offset	3.54 in
Swivel Interference	18.90 in
Overall height	14.57 in
Temperature	- 4 / + 140 °F
Standard	EN 12533
Weight	84.228 lbs
Swivel Radius	9.45 in
Hardness of tread	Shore A 92
Load capacity (dynamic)	5730 lbs
Load capacity (static)	11465 lbs

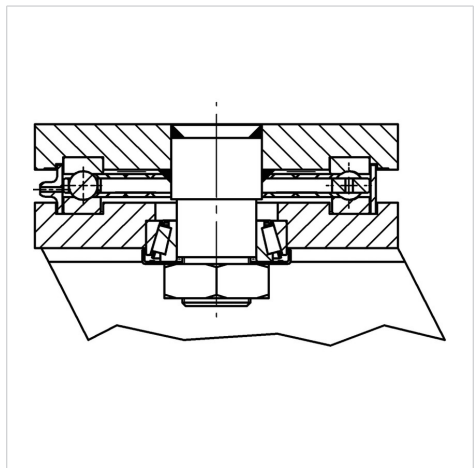
Advantages at a glance

Roll performance	● ● ● ● ○
Movement noise	● ● ● ○ ○
Attrition	● ● ● ● ○
Corrosion resistance	● ● ● ○ ○

Dimensions



Structure & Mounting



OMIKRON

9250FTP300P65

EAN 4031582314007



BETTER MOBILITY. BETTER LIFE.

Structure & Mounting

