

INTEGRAL

2070XSP125R05-28

EAN 4031582363265

Swivel caster, housing made of pressed steel, bright zinc plated, blue passivated, double ball bearing swivel head, wheel axle riveted for attaching the cover, covering of the housing made of Polypropylene, RAL 9002 grey-white, solid plug fitting. Wheel center made of Polyamide, electric conductive, tread made of Polyurethane, with threadguards, precision ball bearing



BETTER MOBILITY. BETTER LIFE.

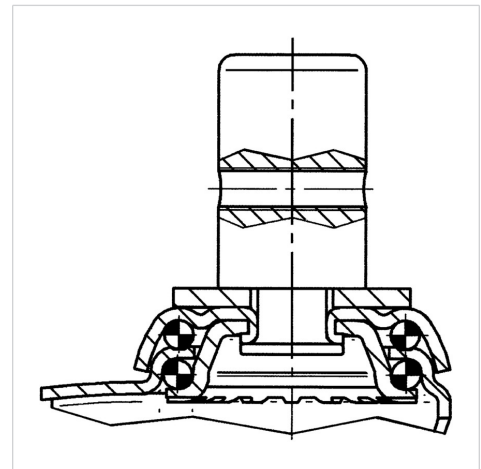


Picture may differ from original product

Technical Data

Wheel diameter	4.92 in
Wheel width	1.26 in
Bolt-Ø	1.10 in
Bolt length	1.77 in
Offset	1.61 in
Swivel Interference	8.15 in
Overall height	6.42 in
Temperature	- 4 / + 140 °F
Standard	EN 12530
Swivel Radius	4.07 in
Hardness of tread	Shore A 87
Load capacity (dynamic)	220 lbs
Load capacity (static)	440 lbs

Structure & Mounting



Advantages at a glance

Roll performance	● ● ● ○ ○
Movement noise	● ● ● ○ ○
Attrition	● ● ● ○ ○
Corrosion resistance	● ● ● ○ ○