

# OMIKRON TWIN

9950STP500P68

EAN 4031582316858

Swivel caster, housing and plate steel-welded, zinc plated, blue passivated, sealed swivel bearing with dual purpose bearing and tapered roller bearing, threaded king pin and locking nut secured, grease nipple, wheel axle with nut, plate fitting. Wheel center made of pressed steel, lacquered, heavy duty, Tread: Polyurethane, casted, precision ball bearing



BETTER MOBILITY. BETTER LIFE.



Picture may differ from original product

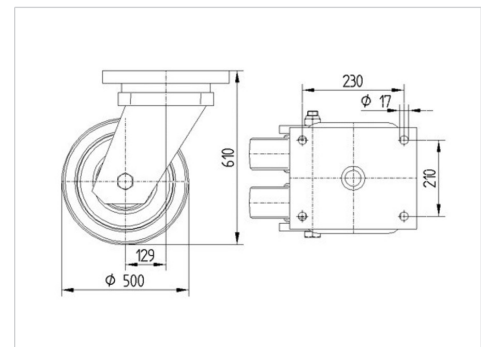
## Technical Data

Wheel diameter	19.69 in
Wheel width	3.15 in
Caster width	13.58 in
Plate size	10.63 x 9.84 in
Plate hole centers	9.06 x 8.27 in
Plate hole	0.67 in
Dome-Ø	12.44 in
Offset	5.12 in
Swivel Interference	31.10 in
Overall height	24.02 in
Temperature	+ 14 / + 140 °F
Standard	EN 12533
Weight	276.480 lbs
Swivel Radius	15.55 in
Hardness of tread	Shore A 92
Load capacity (dynamic)	15875 lbs
Load capacity (static)	31745 lbs

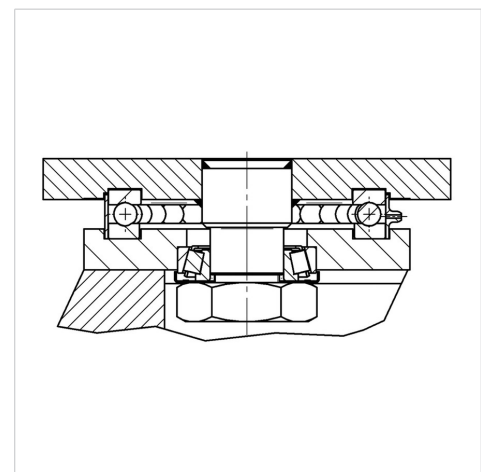
## Advantages at a glance

Roll performance	● ● ● ○ ○
Movement noise	● ● ● ○ ○
Attrition	● ● ● ● ○
Corrosion resistance	● ● ● ○ ○

## Dimensions



## Structure & Mounting



# OMIKRON TWIN

9950STP500P68

EAN 4031582316858



BETTER MOBILITY. BETTER LIFE.

## Structure & Mounting

